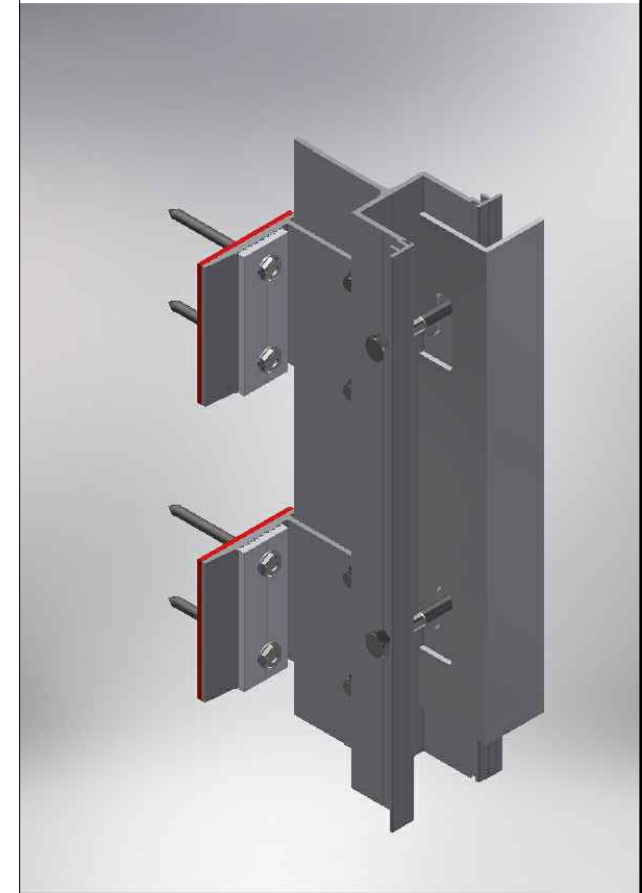


ENCLADTM EN04 SUPPORT SYSTEM
HOOK ON SECRET FIXED

DRAWING REGISTER

| PAGE | DETAIL DESCRIPTION | DETAIL # | REV. |
|-------|--|----------|--------|
| 00/16 | COVER PAGE | 00 | NOV 22 |
| 01/16 | CAVITY SET OUT | 01 | NOV 22 |
| 02/16 | SCHEMATIC | 02 | NOV 22 |
| 03/16 | VERTICAL PANEL JOINT DETAIL (PLAN VIEW) | 03 | NOV 22 |
| 04/16 | PANEL MIDSPAN SUPPORT DETAIL (PLAN VIEW) | 04 | NOV 22 |
| 05/16 | BRICKWALL ABUTMENT DETAIL (PLAN VIEW) | 05 | NOV 22 |
| 06/16 | INTERNAL CORNER PANEL DETAIL (PLAN VIEW) | 06 | NOV 22 |
| 07/16 | EXTERNAL CORNER PANEL DETAIL (PLAN VIEW) | 07 | NOV 22 |
| 08/16 | WINDOW JAMB DETAIL (PLAN VIEW) | 08 | NOV 22 |
| 09/16 | DOOR JAMB DETAIL (PLAN VIEW) | 09 | NOV 22 |
| 10/16 | CONCRETE WALL ABUTMENT DETAIL (PLAN VIEW) | 10 | NOV 22 |
| 11/16 | HORIZONTAL PANEL JOINT DETAIL (SECTION VIEW) | 11 | NOV 22 |
| 12/16 | PARAPET FLASHING DETAIL (SECTION VIEW) | 12 | NOV 22 |
| 13/16 | WINDOW HEAD DETAIL (SECTION VIEW) | 13 | NOV 22 |
| 14/16 | DOOR HEAD DETAIL (SECTION VIEW) | 14 | NOV 22 |
| 15/16 | WINDOW SILL DETAIL (SECTION VIEW) | 15 | NOV 22 |
| 16/16 | BRICKWALL AT BASE DRIP DETAIL (SECTION VIEW) | 16 | NOV 22 |



Cladding Type :
ENCLADTM HPL -
HIGH PRESSURE LAMINATE

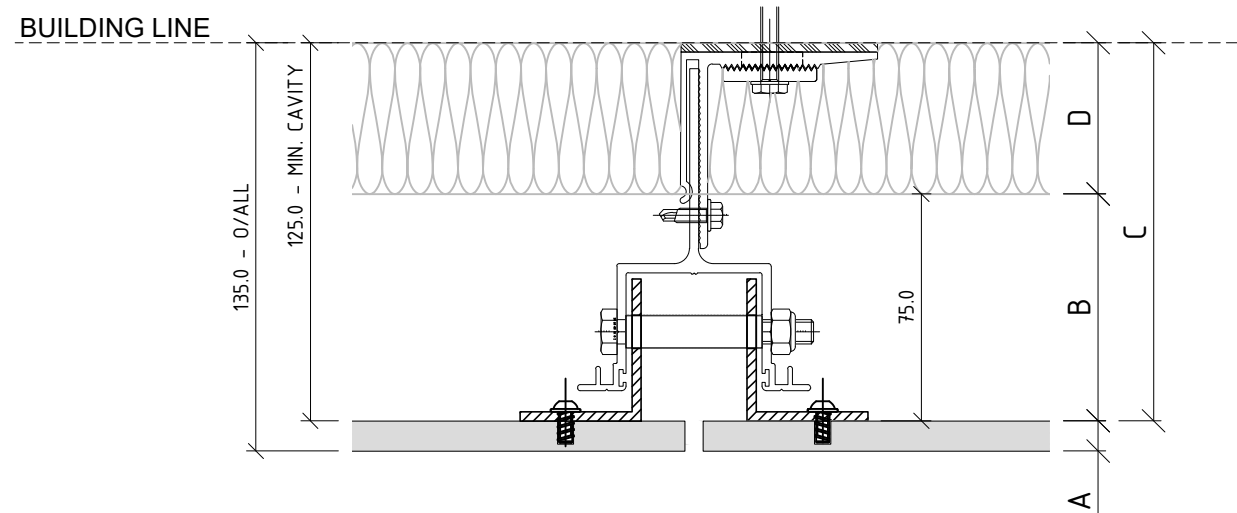
Support System :
ENCLADTM EN04 - HOOK ON SECRET FIXED

Detail Description :
COVER PAGE

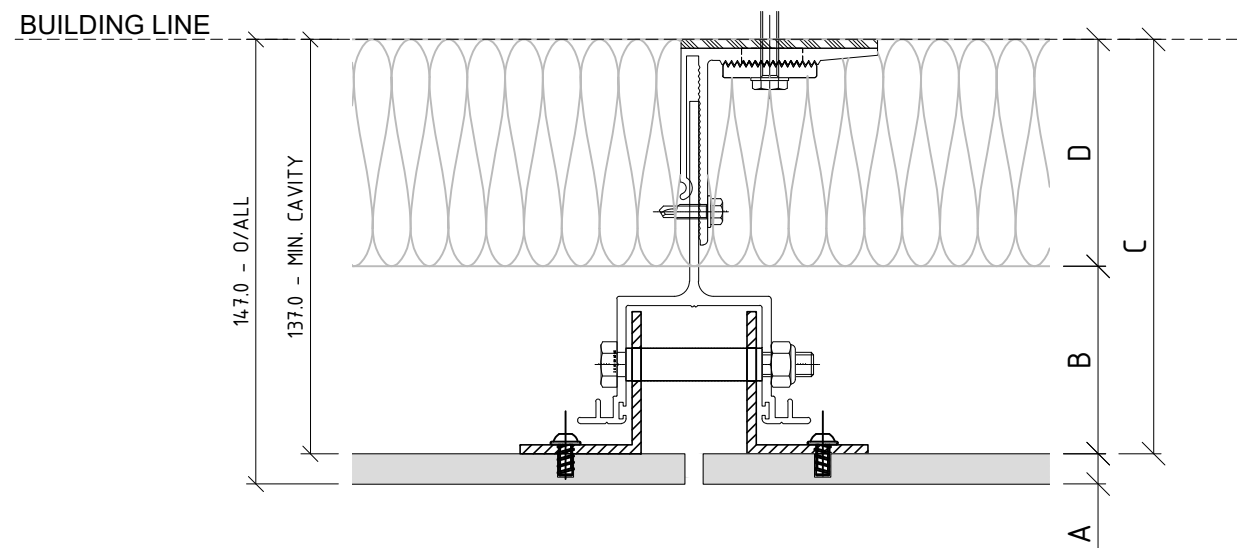
| | |
|--------------------------------|------------------|
| Scale @ A3 : | Rev. : NOV 2022 |
| System # : HPL-EN04-HOA-SF1 | Detail # : 00 |

ENCLADTM RAINSCREEN SYSTEMS

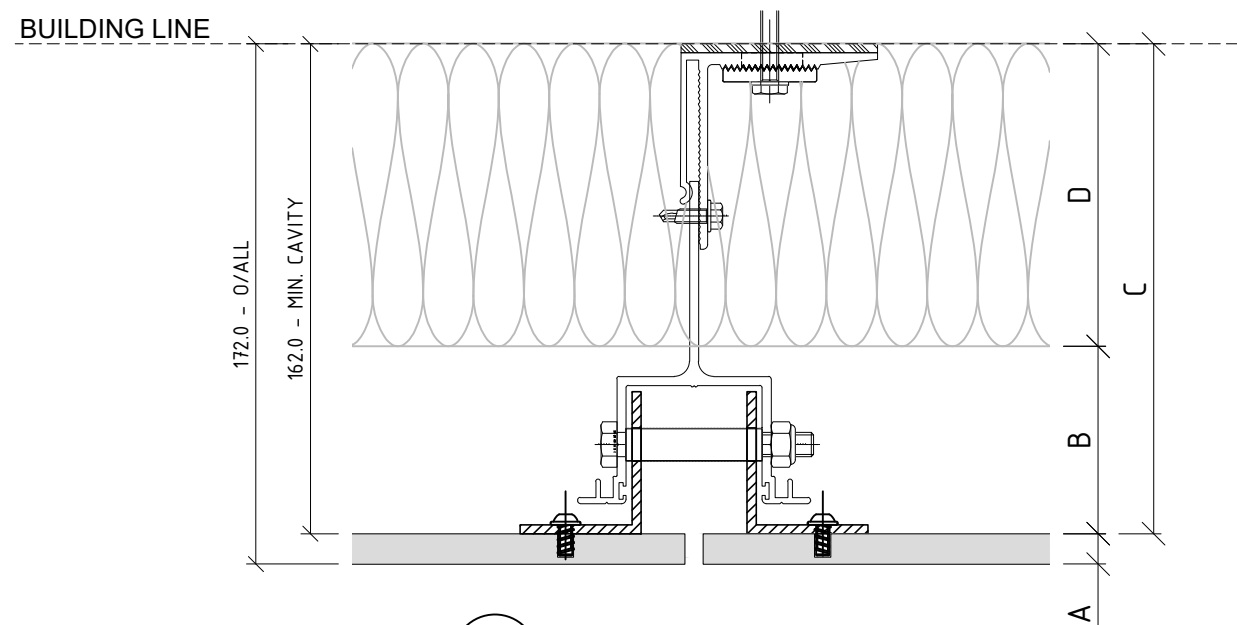
EN04 - ADJUSTABLE SYSTEM CAVITY



50mm THICK INSULATION
IN CAVITY ZONE



75mm THICK INSULATION
IN CAVITY ZONE



100mm THICK INSULATION
IN CAVITY ZONE

01 CAVITY SET OUT
ENCLAD™ HPL PANEL

ADJUSTABLE SYSTEMS ACCOMODATE BUILDING TOLERANCE AND INCORPORATION OF INSULATION FOR H1 REQUIREMENTS - STANDARD SYSTEM CAVITY SHOWN - BESPOKE OPTIONS AVAILABLE FOR PROJECT SPECIFIC REQUIREMENTS

PART OF THE THERMOSASH GROUP COMPANIES :



COPYRIGHT : THESE DESIGNS, DETAILS AND/OR SPECIFICATIONS AND THE COPYRIGHT THEREIN, REMAIN THE PROPERTY OF INSITE FACADES LTD.

DISCLAIMER : THESE DETAILS ARE PROVIDED FOR INDICATIVE PURPOSES ONLY. CONSTRUCTION/SYSTEM DETAILS CAN VARY DEPENDING ON PROJECT SPECIFIC SPECIFICATION AND ENGINEERING REQUIREMENTS. THE DESIGNER IS RESPONSIBLE FOR ENSURING DETAILS SATISFY ALL NEW ZEALAND BUILDING CODE CLAUSES. THE DESIGNER IS RESPONSIBLE FOR ENSURING BUILDING WRAPS, FIRESTOPS AND INSULATION/SPECIFICATION COMPLY WITH MANUFACTURERS RECOMMENDATIONS AND NZBC REGULATIONS. REFER TO INSITE WEBSITE FOR FULL TERMS AND CONDITIONS.

LEGEND

| | |
|---|---|
| A | ENCLAD™ HIGH PRESSURE LAMINATE |
| B | 62mm - 75mm NOMINAL VENTILATION ZONE (AIR GAP) |
| C | * 125mm SYSTEM CAVITY TO ACCOMMODATE 50mm THICK INSULATION |
| D | * 50mm INSULATION (OPTION BY INSITE) FIRE STOP (OPTION BY INSITE) |
| * | OTHER OPTIONS AVAILABLE (PROJECT SPECIFIC) 137mm SYSTEM CAVITY FOR 75mm THICK INSULATION 162mm SYSTEM CAVITY FOR 100mm THICK INSULATION |

Cladding Type :
ENCLAD™ HPL - HIGH PRESSURE LAMINATE

Support System :
ENCLAD™ EN04 - HOOK ON SECRET FIXED

Detail Description :
CAVITY SETOUT (PLAN VIEW)

Scale @ A3 : 1:2.5

Rev. : NOV 2022

System # :
HPL-EN04-HOA-SF1

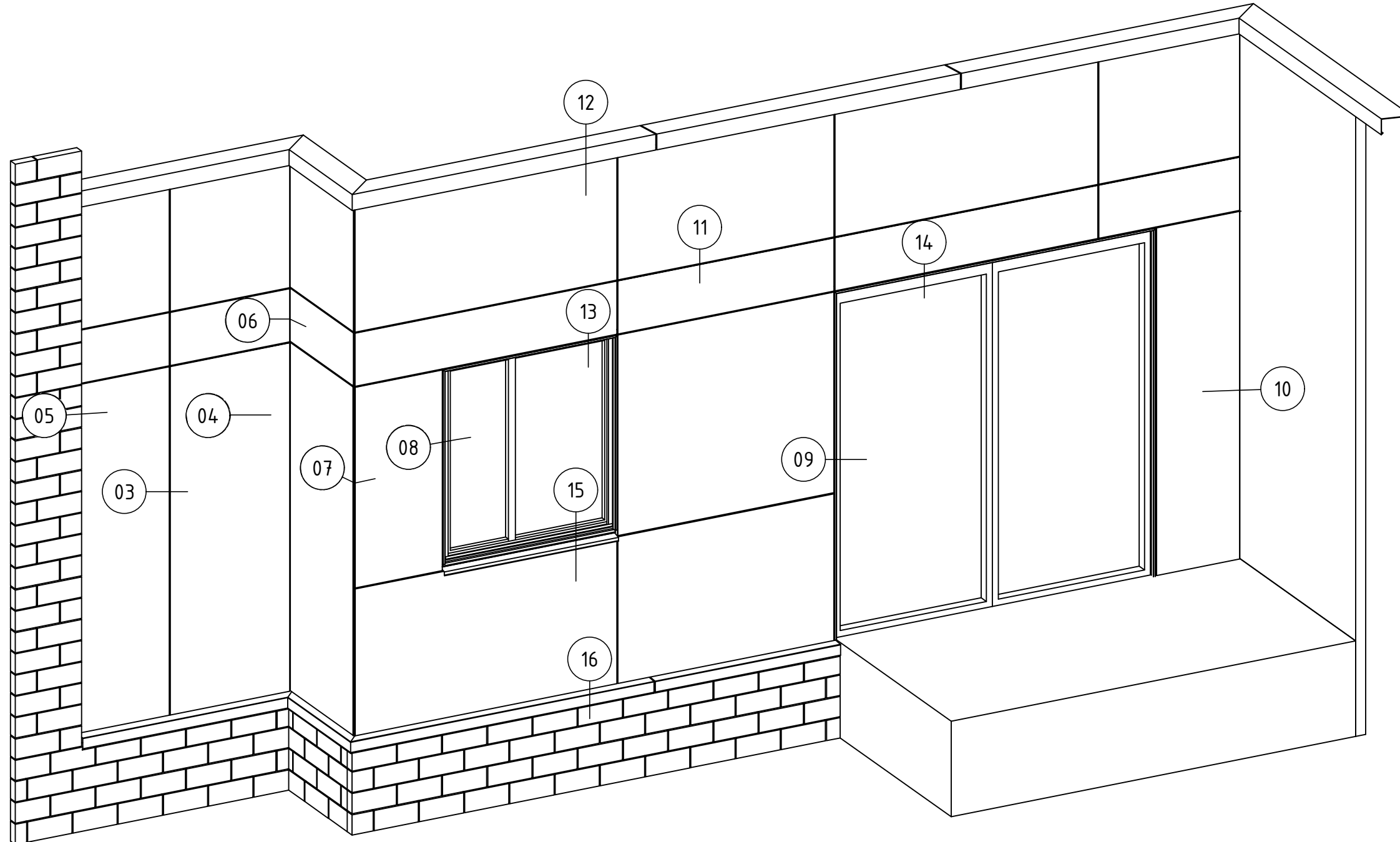
Detail # :
01

ENCLAD™ RAINSCREEN SYSTEMS



101 STATION ROAD, PENROSE,
AUCKLAND 1061
NEW ZEALAND

P: +64 9 307 1529
www.insitefacades.co.nz



02 SCHEMATIC
ENCLAD™ HPL PANEL

Cladding Type :
ENCLAD™ HPL - HIGH PRESSURE LAMINATE

Support System :
ENCLAD™ EN04 - HOOK ON SECRET FIXED

Detail Description :
SCHEMATIC

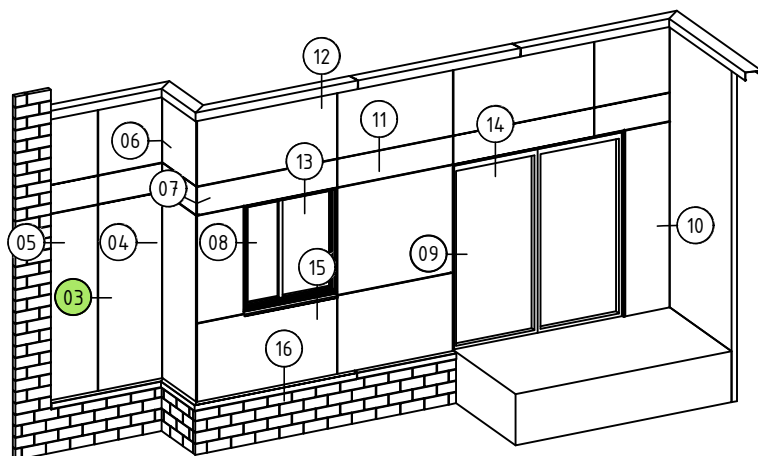
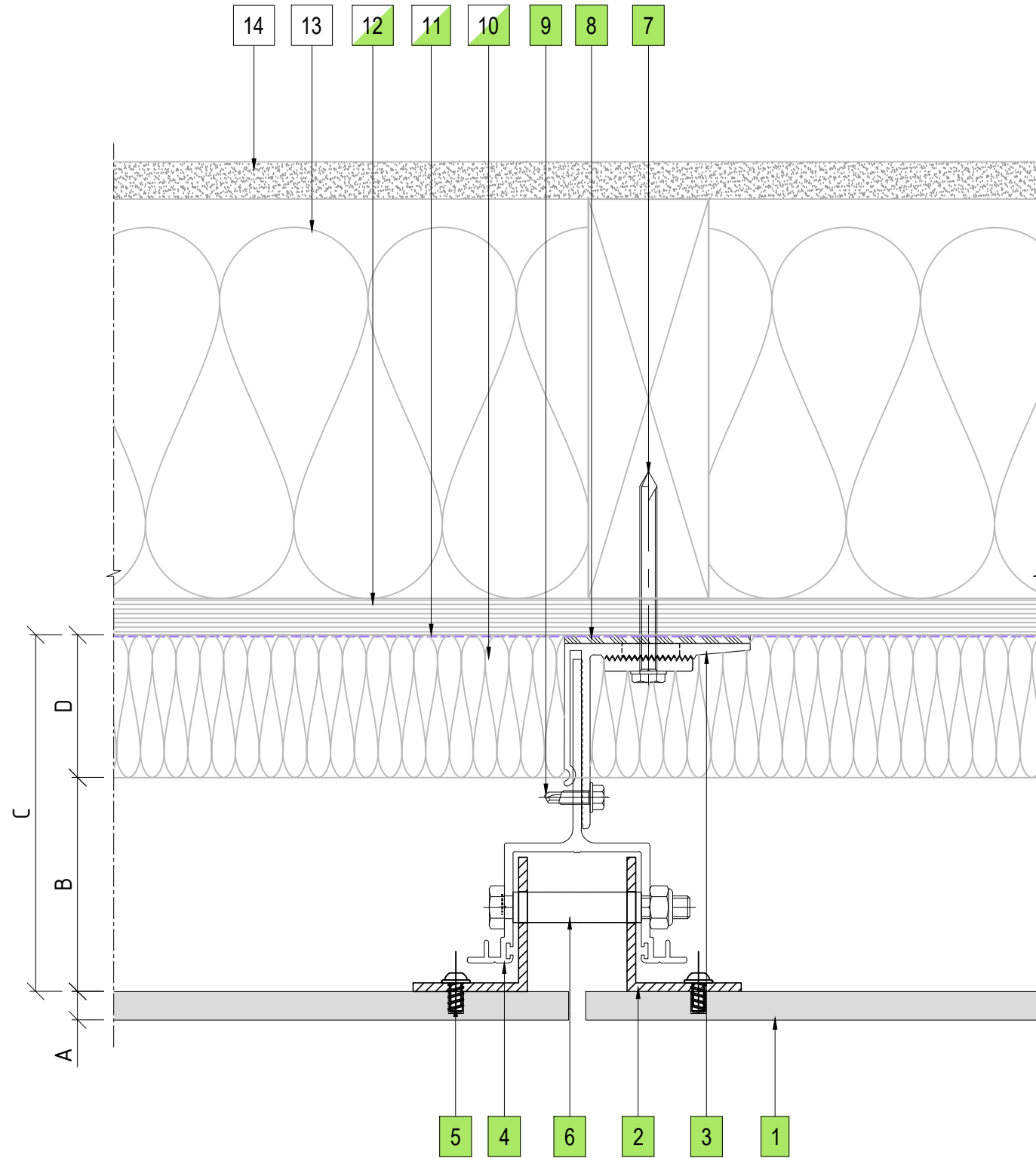
Scale @ A3 : 1:5

Rev. : NOV 2022

System # :
HPL-EN04-HOA-SF1

Detail # :
02

ENCLAD™ RAINSCREEN SYSTEMS



03 VERTICAL PANEL JOINT DETAIL
ENCLAD™ HPL PANEL

LEGEND

| | |
|---|---|
| A | ENCLAD™ HIGH PRESSURE LAMINATE |
| B | 62mm - 75mm NOMINAL VENTILATION ZONE (AIR GAP) |
| C | * 125mm SYSTEM CAVITY TO ACCOMMODATE 50mm THICK INSULATION |
| D | * 50mm INSULATION (OPTION BY INSITE) FIRE STOP (OPTION BY INSITE) |
| * | OTHER OPTIONS AVAILABLE (PROJECT SPECIFIC) 137mm SYSTEM CAVITY FOR 75mm THICK INSULATION 162mm SYSTEM CAVITY FOR 100mm THICK INSULATION |

PARTS LIST

| | |
|----|--|
| 1 | ENCLAD™ HPL PANEL |
| 2 | ENCLAD EN01 ALUMINIUM SUPPORT PROFILE |
| 3 | ENCLAD EN01 ALUMINIUM HELPING HAND BRACKET |
| 4 | ENCLAD EN01 ALUMINIUM CHANNEL PROFILE |
| 5 | ENCLAD PANEL FIXING (STAINLESS STEEL) |
| 6 | ENCLAD FIXING FOR HOOK (STAINLESS STEEL) |
| 7 | ENCLAD HOST STRUCTURAL FIXING (STAINLESS STEEL) |
| 8 | ENCLAD THERMAL ISOLATION PAD |
| 9 | ENCLAD BRACKET TO RAIL FIXING (STAINLESS STEEL) |
| 10 | CAVITY INSULATION (OPTION BY INSITE) |
| 11 | BUILDING WRAP / MEMBRANE (OPTION BY INSITE) |
| 12 | RIGID AIR BARRIER / SHEATHING BOARD (OPTION BY INSITE) |
| 13 | WALL INSULATION (BY OTHERS) |
| 14 | PLASTER BOARD (BY OTHERS) |
| | |
| | |
| | |
| | |
| | |
| | |
| | |
| | |
| | |
| | |
| | |

Cladding Type :
**ENCLAD™ HPL -
HIGH PRESSURE LAMINATE**

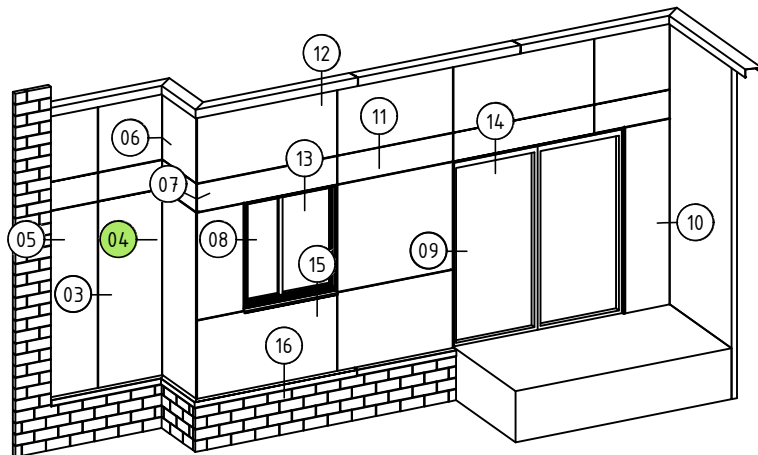
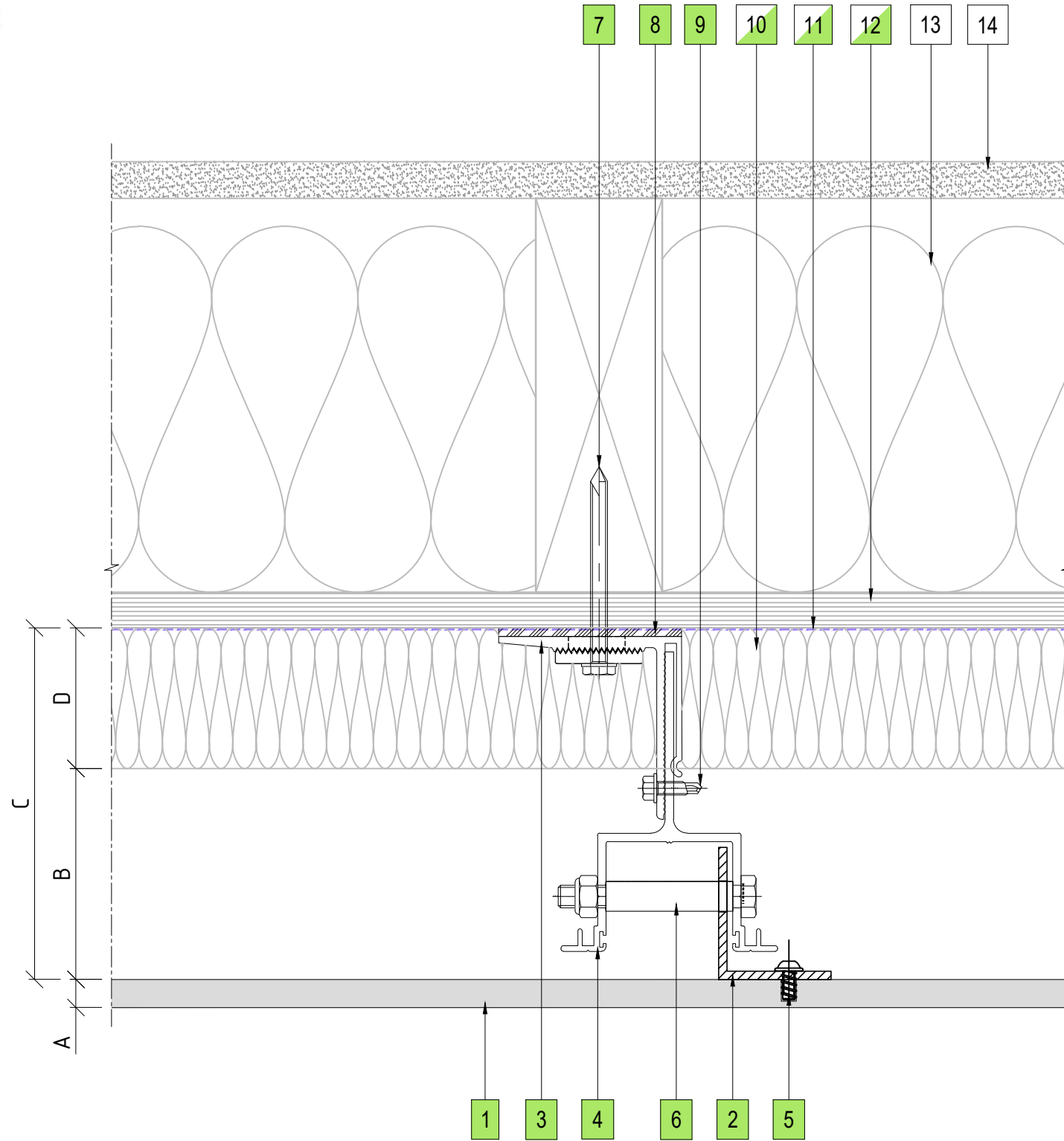
Support System :
ENCLAD™ EN04 - HOOK ON SECRET FIXED

Detail Description :
VERTICAL PANEL JOINT DETAIL (PLAN VIEW)

Scale @ A3 : 1:2 Rev. : NOV 2022

System # :
HPL-EN04-HOA-SF1 Detail # :
03

ENCLAD™ RAINSCREEN SYSTEMS



04 PANEL MIDSPAN SUPPORT DETAIL
ENCLAD™ HPL PANEL

PART OF THE THERMOSASH GROUP COMPANIES :



COPYRIGHT : THESE DESIGNS, DETAILS AND/OR SPECIFICATIONS AND THE COPYRIGHT THEREIN, REMAIN THE PROPERTY OF INSITE FACADES LTD.

DISCLAIMER : THESE DETAILS ARE PROVIDED FOR INDICATIVE PURPOSES ONLY. CONSTRUCTION/SYSTEM DETAILS CAN VARY DEPENDING ON PROJECT SPECIFIC SPECIFICATION AND ENGINEERING REQUIREMENTS. THE DESIGNER IS RESPONSIBLE FOR ENSURING DETAILS SATISFY ALL NEW ZEALAND BUILDING CODE CLAUSES. THE DESIGNER IS RESPONSIBLE FOR ENSURING BUILDING WRAPS, FIRESTOPS AND INSULATION/SPECIFICATION COMPLY WITH MANUFACTURERS RECOMMENDATIONS AND NZBC REGULATIONS. REFER TO INSITE WEBSITE FOR FULL TERMS AND CONDITIONS.

LEGEND

| | |
|---|---|
| A | ENCLAD™ HIGH PRESSURE LAMINATE |
| B | 62mm - 75mm NOMINAL VENTILATION ZONE (AIR GAP) |
| C | * 125mm SYSTEM CAVITY TO ACCOMMODATE 50mm THICK INSULATION |
| D | * 50mm INSULATION (OPTION BY INSITE) FIRE STOP (OPTION BY INSITE) |
| * | OTHER OPTIONS AVAILABLE (PROJECT SPECIFIC) 137mm SYSTEM CAVITY FOR 75mm THICK INSULATION 162mm SYSTEM CAVITY FOR 100mm THICK INSULATION |

PARTS LIST

| | |
|----|--|
| 1 | ENCLAD™ HPL PANEL |
| 2 | ENCLAD EN01 ALUMINIUM SUPPORT PROFILE |
| 3 | ENCLAD EN01 ALUMINIUM HELPING HAND BRACKET |
| 4 | ENCLAD EN01 ALUMINIUM CHANNEL PROFILE |
| 5 | ENCLAD PANEL FIXING (STAINLESS STEEL) |
| 6 | ENCLAD FIXING FOR HOOK (STAINLESS STEEL) |
| 7 | ENCLAD HOST STRUCTURAL FIXING (STAINLESS STEEL) |
| 8 | ENCLAD THERMAL ISOLATION PAD |
| 9 | ENCLAD BRACKET TO RAIL FIXING (STAINLESS STEEL) |
| 10 | CAVITY INSULATION (OPTION BY INSITE) |
| 11 | BUILDING WRAP / MEMBRANE (OPTION BY INSITE) |
| 12 | RIGID AIR BARRIER / SHEATHING BOARD (OPTION BY INSITE) |
| 13 | WALL INSULATION (BY OTHERS) |
| 14 | PLASTER BOARD (BY OTHERS) |

Cladding Type :

**ENCLAD™ HPL -
HIGH PRESSURE LAMINATE**

Support System :

ENCLAD™ EN04 - HOOK ON SECRET FIXED

Detail Description :

PANEL MIDSPAN SUPPORT DETAIL (PLAN VIEW)

Scale @ A3 : 1:2

Rev. : NOV 2022

System # :

HPL-EN04-HOA-SF1

Detail # :

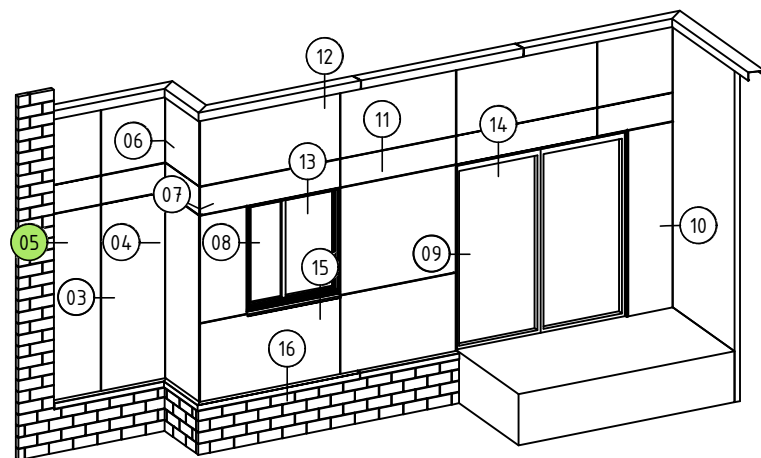
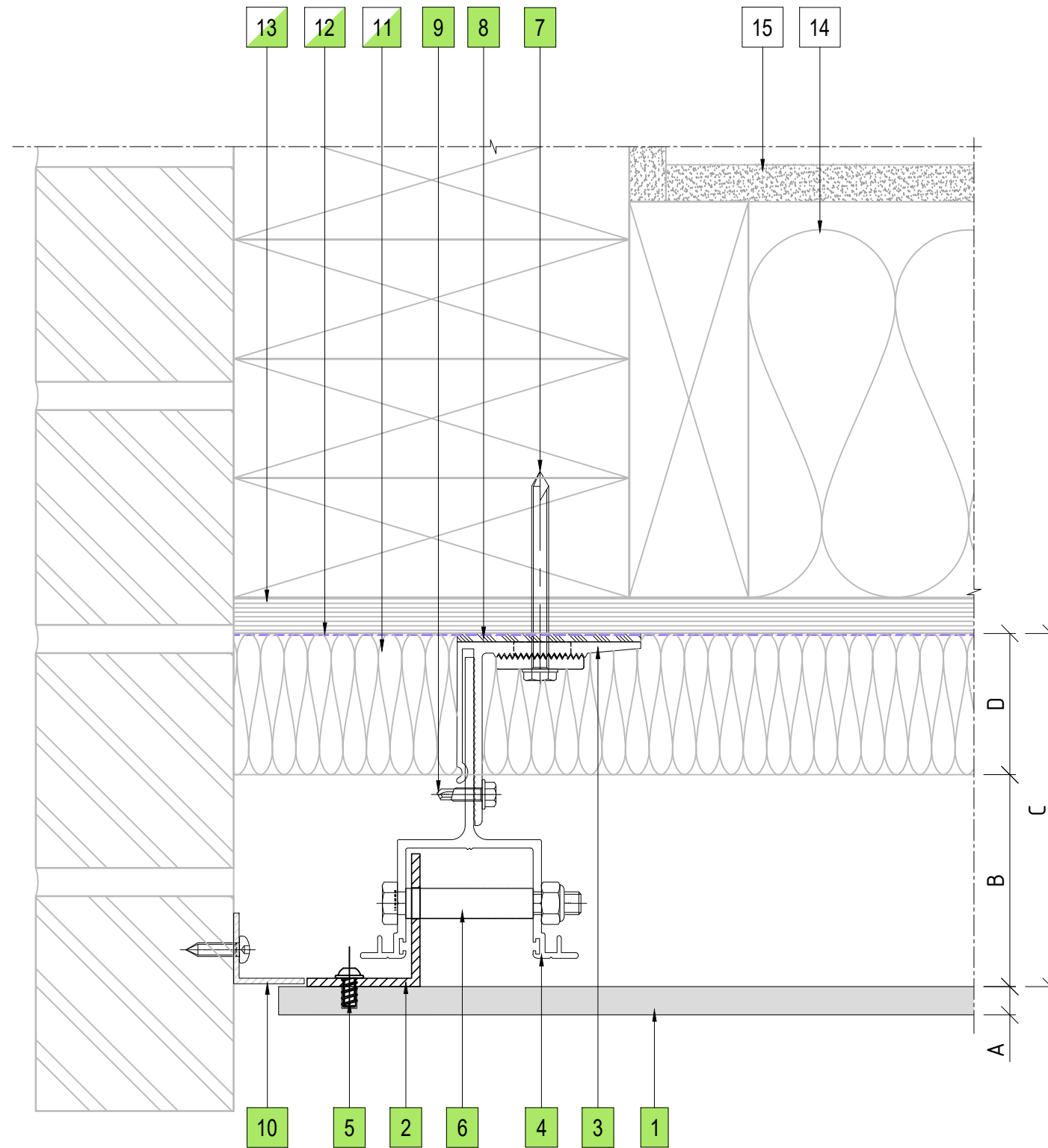
04

ENCLAD™ RAINSCREEN SYSTEMS



101 STATION ROAD, PENROSE,
AUCKLAND 1061
NEW ZEALAND

P: +64 9 307 1529
www.insitefacades.co.nz



05 BRICKWALL ABUTMENT DETAIL
ENCLAD™ HPL PANEL

PART OF THE THERMOSASH GROUP COMPANIES :



COPYRIGHT : THESE DESIGNS, DETAILS AND/OR SPECIFICATIONS AND THE COPYRIGHT THEREIN, REMAIN THE PROPERTY OF INSITE FACADES LTD.

DISCLAIMER : THESE DETAILS ARE PROVIDED FOR INDICATIVE PURPOSES ONLY. CONSTRUCTION/SYSTEM DETAILS CAN VARY DEPENDING ON PROJECT SPECIFIC SPECIFICATION AND ENGINEERING REQUIREMENTS. THE DESIGNER IS RESPONSIBLE FOR ENSURING DETAILS SATISFY ALL NEW ZEALAND BUILDING CODE CLAUSES. THE DESIGNER IS RESPONSIBLE FOR ENSURING BUILDING WRAPS, FIRESTOPS AND INSULATION/SPECIFICATION COMPLY WITH MANUFACTURERS RECOMMENDATIONS AND NZBC REGULATIONS. REFER TO INSITE WEBSITE FOR FULL TERMS AND CONDITIONS.

LEGEND

| | |
|---|---|
| A | ENCLAD™ HIGH PRESSURE LAMINATE |
| B | 62mm - 75mm NOMINAL VENTILATION ZONE (AIR GAP) |
| C | * 125mm SYSTEM CAVITY TO ACCOMMODATE 50mm THICK INSULATION |
| D | * 50mm INSULATION (OPTION BY INSITE) FIRE STOP (OPTION BY INSITE) |
| * | OTHER OPTIONS AVAILABLE (PROJECT SPECIFIC) 137mm SYSTEM CAVITY FOR 75mm THICK INSULATION 162mm SYSTEM CAVITY FOR 100mm THICK INSULATION |

PARTS LIST

| | |
|----|--|
| 1 | ENCLAD™ HPL PANEL |
| 2 | ENCLAD EN01 ALUMINIUM SUPPORT PROFILE |
| 3 | ENCLAD EN01 ALUMINIUM HELPING HAND BRACKET |
| 4 | ENCLAD EN01 ALUMINIUM CHANNEL PROFILE |
| 5 | ENCLAD PANEL FIXING (STAINLESS STEEL) |
| 6 | ENCLAD FIXING FOR HOOK (STAINLESS STEEL) |
| 7 | ENCLAD HOST STRUCTURAL FIXING (STAINLESS STEEL) |
| 8 | ENCLAD THERMAL ISOLATION PAD |
| 9 | ENCLAD BRACKET TO RAIL FIXING (STAINLESS STEEL) |
| 10 | ENCLAD ALUMINIUM VENT CLOSURE |
| 11 | CAVITY INSULATION (OPTION BY INSITE) |
| 12 | BUILDING WRAP / MEMBRANE (OPTION BY INSITE) |
| 13 | RIGID AIR BARRIER / SHEATHING BOARD (OPTION BY INSITE) |
| 14 | WALL INSULATION (BY OTHERS) |
| 15 | PLASTER BOARD (BY OTHERS) |

Cladding Type :

**ENCLAD™ HPL -
HIGH PRESSURE LAMINATE**

Support System :

ENCLAD™ EN04 - HOOK ON SECRET FIXED

Detail Description :

BRICKWALL ABUTMENT DETAIL (PLAN VIEW)

Scale @ A3 : 1:2

Rev. : NOV 2022

System # :

HPL-EN04-HOA-SF1

Detail # :

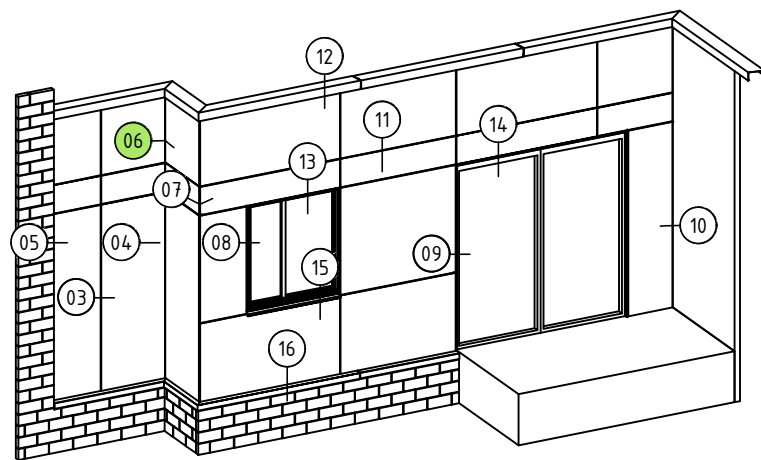
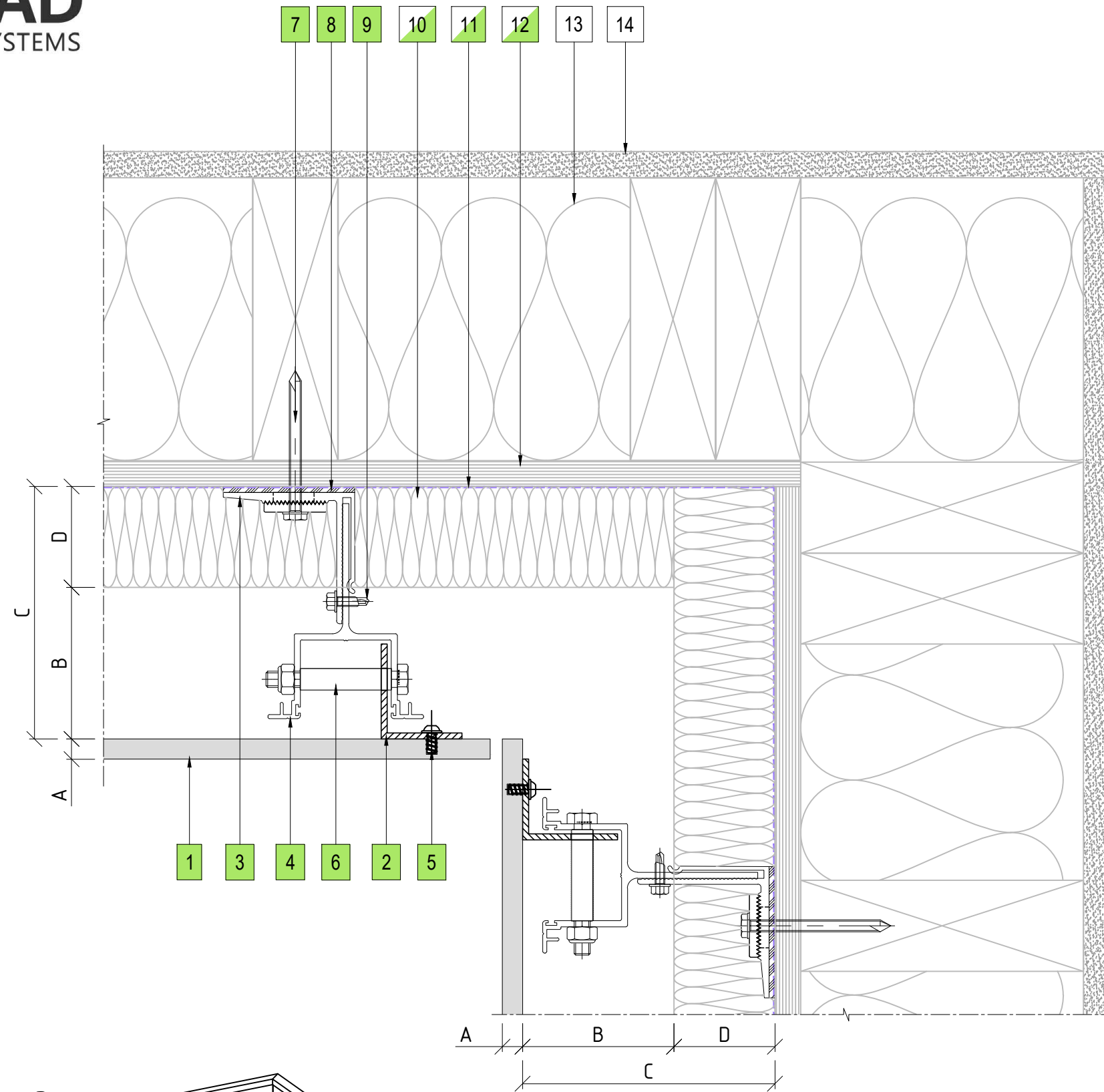
05

ENCLAD™ RAINSCREEN SYSTEMS



101 STATION ROAD, PENROSE,
AUCKLAND 1061
NEW ZEALAND

P: +64 9 307 1529
www.insitefacades.co.nz



06 INTERNAL CORNER PANEL DETAIL
ENCLAD™ HPL PANEL

COPYRIGHT : THESE DESIGNS, DETAILS AND/OR SPECIFICATIONS AND THE COPYRIGHT THEREIN, REMAIN THE PROPERTY OF INSITE FACADES LTD.

DISCLAIMER : THESE DETAILS ARE PROVIDED FOR INDICATIVE PURPOSES ONLY. CONSTRUCTION/SYSTEM DETAILS CAN VARY DEPENDING ON PROJECT SPECIFIC SPECIFICATION AND ENGINEERING REQUIREMENTS. THE DESIGNER IS RESPONSIBLE FOR ENSURING DETAILS SATISFY ALL NEW ZEALAND BUILDING CODE CLAUSES. THE DESIGNER IS RESPONSIBLE FOR ENSURING BUILDING WRAPS, FIRESTOPS AND INSULATION/SPECIFICATION COMPLY WITH MANUFACTURERS RECOMMENDATIONS AND NZBC REGULATIONS. REFER TO INSITE WEBSITE FOR FULL TERMS AND CONDITIONS.

LEGEND

| | |
|---|---|
| A | ENCLAD™ HIGH PRESSURE LAMINATE |
| B | 62mm - 75mm NOMINAL VENTILATION ZONE (AIR GAP) |
| C | * 125mm SYSTEM CAVITY TO ACCOMMODATE 50mm THICK INSULATION |
| D | * 50mm INSULATION (OPTION BY INSITE) FIRE STOP (OPTION BY INSITE) |
| * | OTHER OPTIONS AVAILABLE (PROJECT SPECIFIC) 137mm SYSTEM CAVITY FOR 75mm THICK INSULATION 162mm SYSTEM CAVITY FOR 100mm THICK INSULATION |

PARTS LIST

| | |
|----|--|
| 1 | ENCLAD™ HPL PANEL |
| 2 | ENCLAD EN01 ALUMINIUM SUPPORT PROFILE |
| 3 | ENCLAD EN01 ALUMINIUM HELPING HAND BRACKET |
| 4 | ENCLAD EN01 ALUMINIUM CHANNEL PROFILE |
| 5 | ENCLAD PANEL FIXING (STAINLESS STEEL) |
| 6 | ENCLAD FIXING FOR HOOK (STAINLESS STEEL) |
| 7 | ENCLAD HOST STRUCTURAL FIXING (STAINLESS STEEL) |
| 8 | ENCLAD THERMAL ISOLATION PAD |
| 9 | ENCLAD BRACKET TO RAIL FIXING (STAINLESS STEEL) |
| 10 | CAVITY INSULATION (OPTION BY INSITE) |
| 11 | BUILDING WRAP / MEMBRANE (OPTION BY INSITE) |
| 12 | RIGID AIR BARRIER / SHEATHING BOARD (OPTION BY INSITE) |
| 13 | WALL INSULATION (BY OTHERS) |
| 14 | PLASTER BOARD (BY OTHERS) |
| | |
| | |
| | |
| | |
| | |
| | |
| | |
| | |
| | |
| | |
| | |

Cladding Type :
ENCLAD™ HPL - HIGH PRESSURE LAMINATE

Support System :
ENCLAD™ EN04 - HOOK ON SECRET FIXED

Detail Description :
INTERNAL CORNER PANEL DETAIL (PLAN VIEW)

| | |
|--------------------------------|------------------|
| Scale @ A3 : 1:2.5 | Rev. : NOV 2022 |
| System # : HPL-EN04-HOA-SF1 | Detail # : 06 |

LEGEND

| | |
|---|---|
| A | ENCLAD™ HIGH PRESSURE LAMINATE |
| B | 62mm - 75mm NOMINAL VENTILATION ZONE (AIR GAP) |
| C | * 125mm SYSTEM CAVITY TO ACCOMMODATE 50mm THICK INSULATION |
| D | * 50mm INSULATION (OPTION BY INSITE) FIRE STOP (OPTION BY INSITE) |
| * | OTHER OPTIONS AVAILABLE (PROJECT SPECIFIC) 137mm SYSTEM CAVITY FOR 75mm THICK INSULATION 162mm SYSTEM CAVITY FOR 100mm THICK INSULATION |

PARTS LIST

| | |
|----|--|
| 1 | ENCLAD™ HPL PANEL |
| 2 | ENCLAD EN01 ALUMINIUM SUPPORT PROFILE |
| 3 | ENCLAD EN01 ALUMINIUM HELPING HAND BRACKET |
| 4 | ENCLAD EN01 ALUMINIUM CHANNEL PROFILE |
| 5 | ENCLAD PANEL FIXING (STAINLESS STEEL) |
| 6 | ENCLAD FIXING FOR HOOK (STAINLESS STEEL) |
| 7 | ENCLAD HOST STRUCTURAL FIXING (STAINLESS STEEL) |
| 8 | ENCLAD THERMAL ISOLATION PAD |
| 9 | ENCLAD BRACKET TO RAIL FIXING (STAINLESS STEEL) |
| 10 | CAVITY INSULATION (OPTION BY INSITE) |
| 11 | BUILDING WRAP / MEMBRANE (OPTION BY INSITE) |
| 12 | RIGID AIR BARRIER / SHEATHING BOARD (OPTION BY INSITE) |
| 13 | WALL INSULATION (BY OTHERS) |
| 14 | PLASTER BOARD (BY OTHERS) |

Cladding Type :

ENCLAD™ HPL - HIGH PRESSURE LAMINATE

Support System :

ENCLAD™ EN04 - HOOK ON SECRET FIXED

Detail Description :

EXTERNAL CORNER PANEL DETAIL (PLAN VIEW)

Scale @ A3 : 1:2

Rev. : NOV 2022

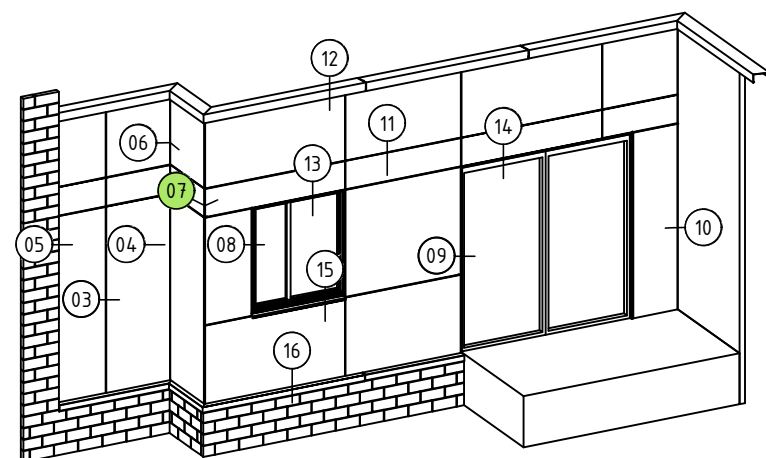
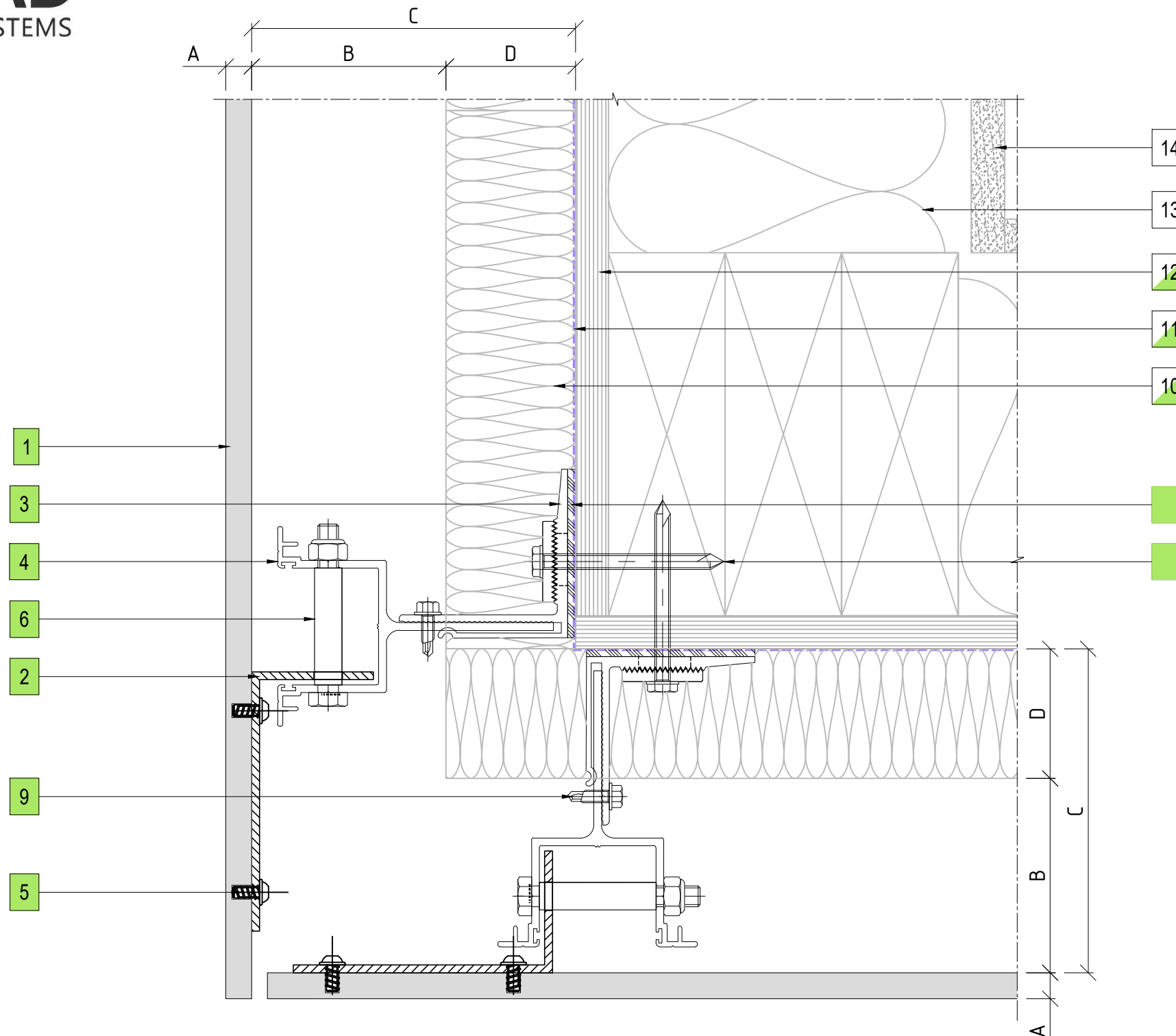
System # :

HPL-EN04-HOA-SF1

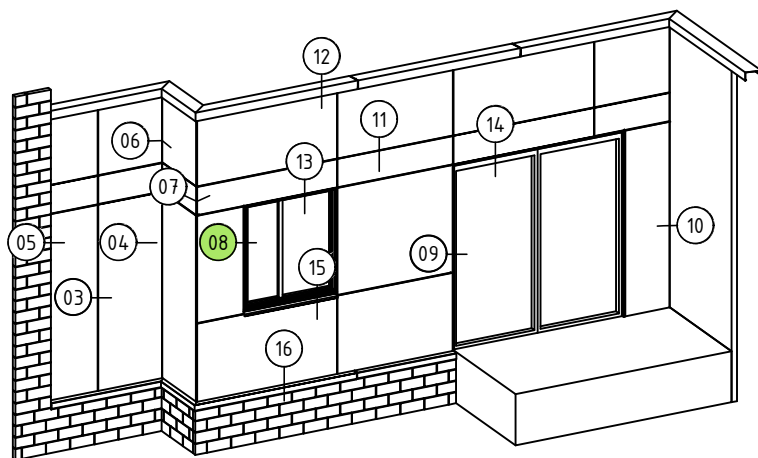
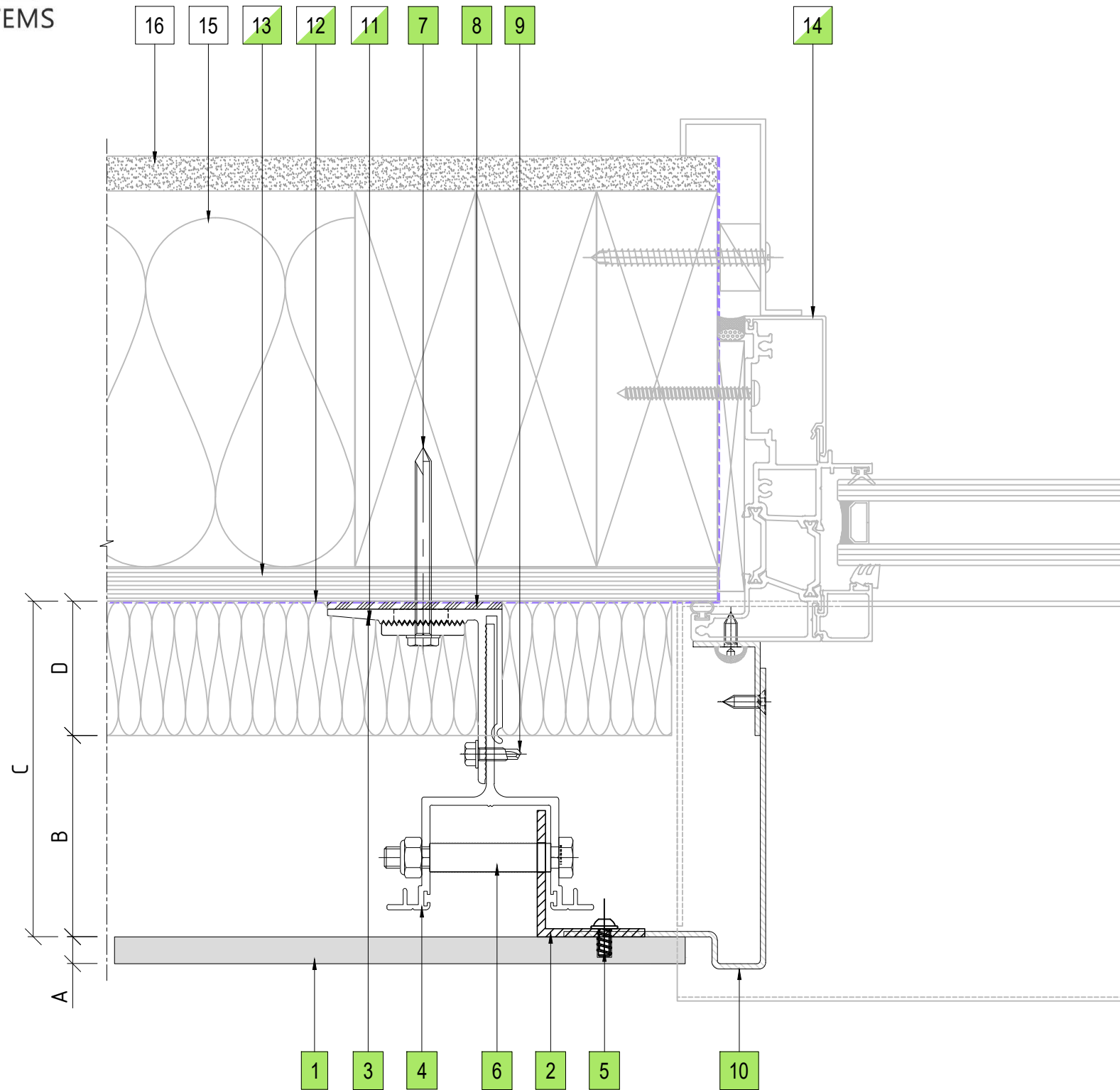
Detail # :

07

ENCLAD™ RAINSCREEN SYSTEMS



07 EXTERNAL CORNER PANEL DETAIL
ENCLAD™ HPL PANEL



08 WINDOW JAMB DETAIL
ENCLAD™ HPL PANEL

LEGEND

| | |
|---|---|
| A | ENCLAD™ HIGH PRESSURE LAMINATE |
| B | 62mm - 75mm NOMINAL VENTILATION ZONE (AIR GAP) |
| C | * 125mm SYSTEM CAVITY TO ACCOMMODATE 50mm THICK INSULATION |
| D | * 50mm INSULATION (OPTION BY INSITE) FIRE STOP (OPTION BY INSITE) |
| * | OTHER OPTIONS AVAILABLE (PROJECT SPECIFIC) 137mm SYSTEM CAVITY FOR 75mm THICK INSULATION 162mm SYSTEM CAVITY FOR 100mm THICK INSULATION |

PARTS LIST

| | |
|----|--|
| 1 | ENCLAD™ HPL PANEL |
| 2 | ENCLAD EN01 ALUMINIUM SUPPORT PROFILE |
| 3 | ENCLAD EN01 ALUMINIUM HELPING HAND BRACKET |
| 4 | ENCLAD EN01 ALUMINIUM CHANNEL PROFILE |
| 5 | ENCLAD PANEL FIXING (STAINLESS STEEL) |
| 6 | ENCLAD FIXING FOR HOOK (STAINLESS STEEL) |
| 7 | ENCLAD HOST STRUCTURAL FIXING (STAINLESS STEEL) |
| 8 | ENCLAD THERMAL ISOLATION PAD |
| 9 | ENCLAD BRACKET TO RAIL FIXING (STAINLESS STEEL) |
| 10 | ENCLAD ALUMINIUM CLOSURE |
| 11 | CAVITY INSULATION (OPTION BY INSITE) |
| 12 | BUILDING WRAP / MEMBRANE (OPTION BY INSITE) |
| 13 | RIGID AIR BARRIER / SHEATHING BOARD (OPTION BY INSITE) |
| 14 | ALUMINIUM DOORS, WINDOWS & REVEALS (OPTION BY INSITE) |
| 15 | WALL INSULATION (BY OTHERS) |
| 16 | PLASTER BOARD (BY OTHERS) |

Cladding Type :

**ENCLAD™ HPL -
HIGH PRESSURE LAMINATE**

Support System :

ENCLAD™ EN04 - HOOK ON SECRET FIXED

Detail Description :

WINDOW JAMB DETAIL (PLAN VIEW)

Scale @ A3 : 1:2

Rev. : NOV 2022

System # :

HPL-EN04-HOA-SF1

Detail # :

08

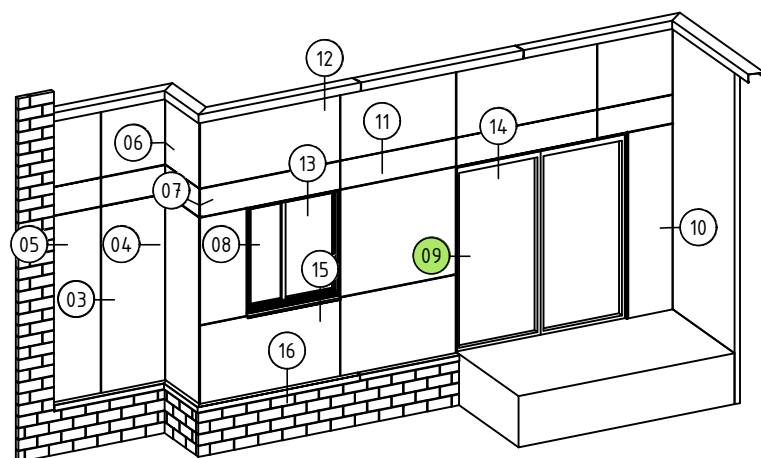
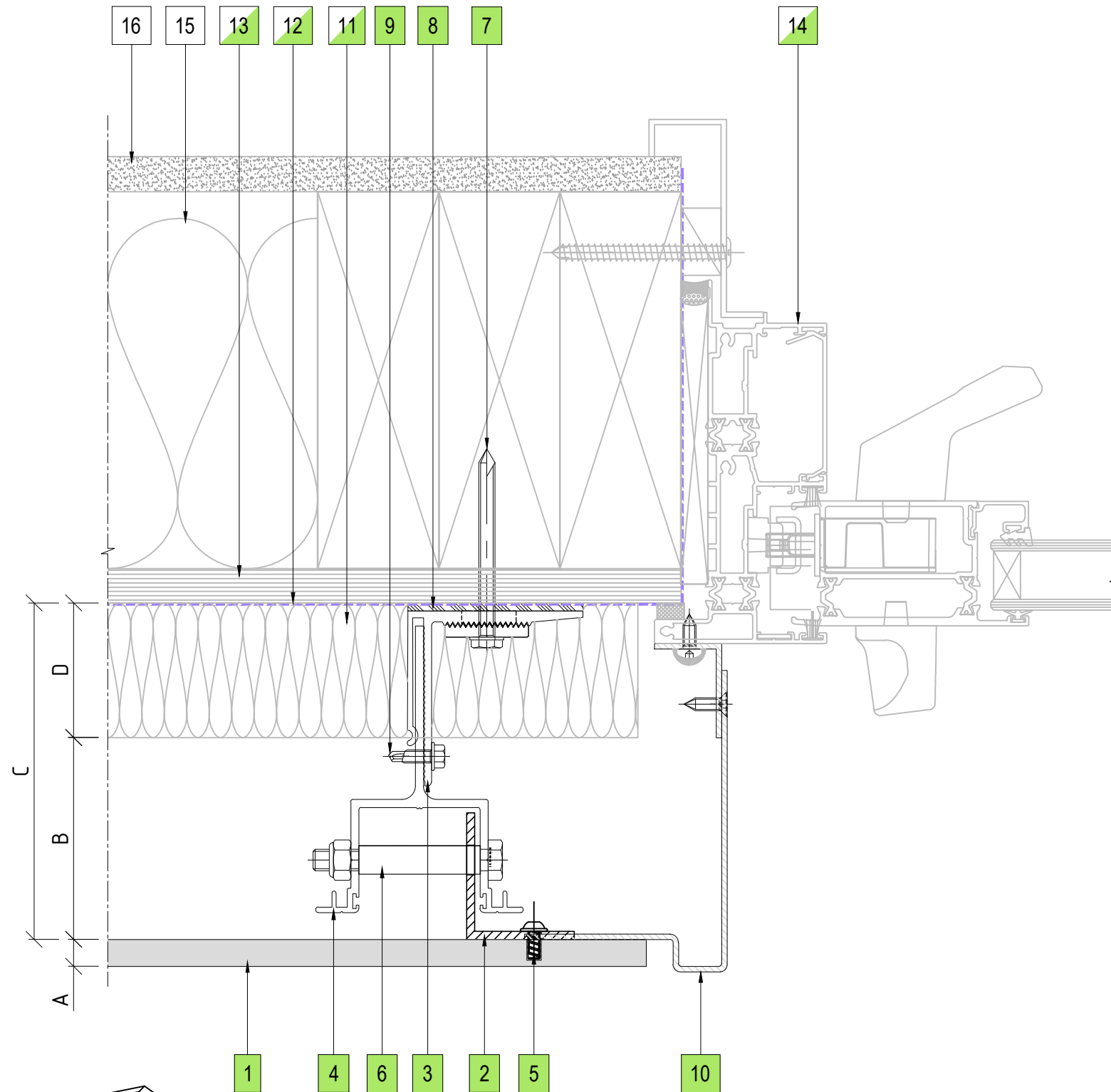
ENCLAD™ RAINSCREEN SYSTEMS

LEGEND

| | |
|---|---|
| A | ENCLAD™ HIGH PRESSURE LAMINATE |
| B | 62mm - 75mm NOMINAL VENTILATION ZONE (AIR GAP) |
| C | * 125mm SYSTEM CAVITY TO ACCOMMODATE 50mm THICK INSULATION |
| D | * 50mm INSULATION (OPTION BY INSITE) FIRE STOP (OPTION BY INSITE) |
| * | OTHER OPTIONS AVAILABLE (PROJECT SPECIFIC) 137mm SYSTEM CAVITY FOR 75mm THICK INSULATION 162mm SYSTEM CAVITY FOR 100mm THICK INSULATION |

PARTS LIST

| | |
|----|--|
| 1 | ENCLAD™ HPL PANEL |
| 2 | ENCLAD EN01 ALUMINIUM SUPPORT PROFILE |
| 3 | ENCLAD EN01 ALUMINIUM HELPING HAND BRACKET |
| 4 | ENCLAD EN01 ALUMINIUM CHANNEL PROFILE |
| 5 | ENCLAD PANEL FIXING (STAINLESS STEEL) |
| 6 | ENCLAD FIXING FOR HOOK (STAINLESS STEEL) |
| 7 | ENCLAD HOST STRUCTURAL FIXING (STAINLESS STEEL) |
| 8 | ENCLAD THERMAL ISOLATION PAD |
| 9 | ENCLAD BRACKET TO RAIL FIXING (STAINLESS STEEL) |
| 10 | ENCLAD ALUMINIUM CLOSURE |
| 11 | CAVITY INSULATION (OPTION BY INSITE) |
| 12 | BUILDING WRAP / MEMBRANE (OPTION BY INSITE) |
| 13 | RIGID AIR BARRIER / SHEATHING BOARD (OPTION BY INSITE) |
| 14 | ALUMINIUM DOORS, WINDOWS & REVEALS (OPTION BY INSITE) |
| 15 | WALL INSULATION (BY OTHERS) |
| 16 | PLASTER BOARD (BY OTHERS) |



09 DOOR JAMB DETAIL
ENCLAD™ HPL PANEL

Cladding Type :

**ENCLAD™ HPL -
HIGH PRESSURE LAMINATE**

Support System :

ENCLAD™ EN04 - HOOK ON SECRET FIXED

Detail Description :

DOOR JAMB DETAIL (PLAN VIEW)

Scale @ A3 : 1:2

Rev. : NOV 2022

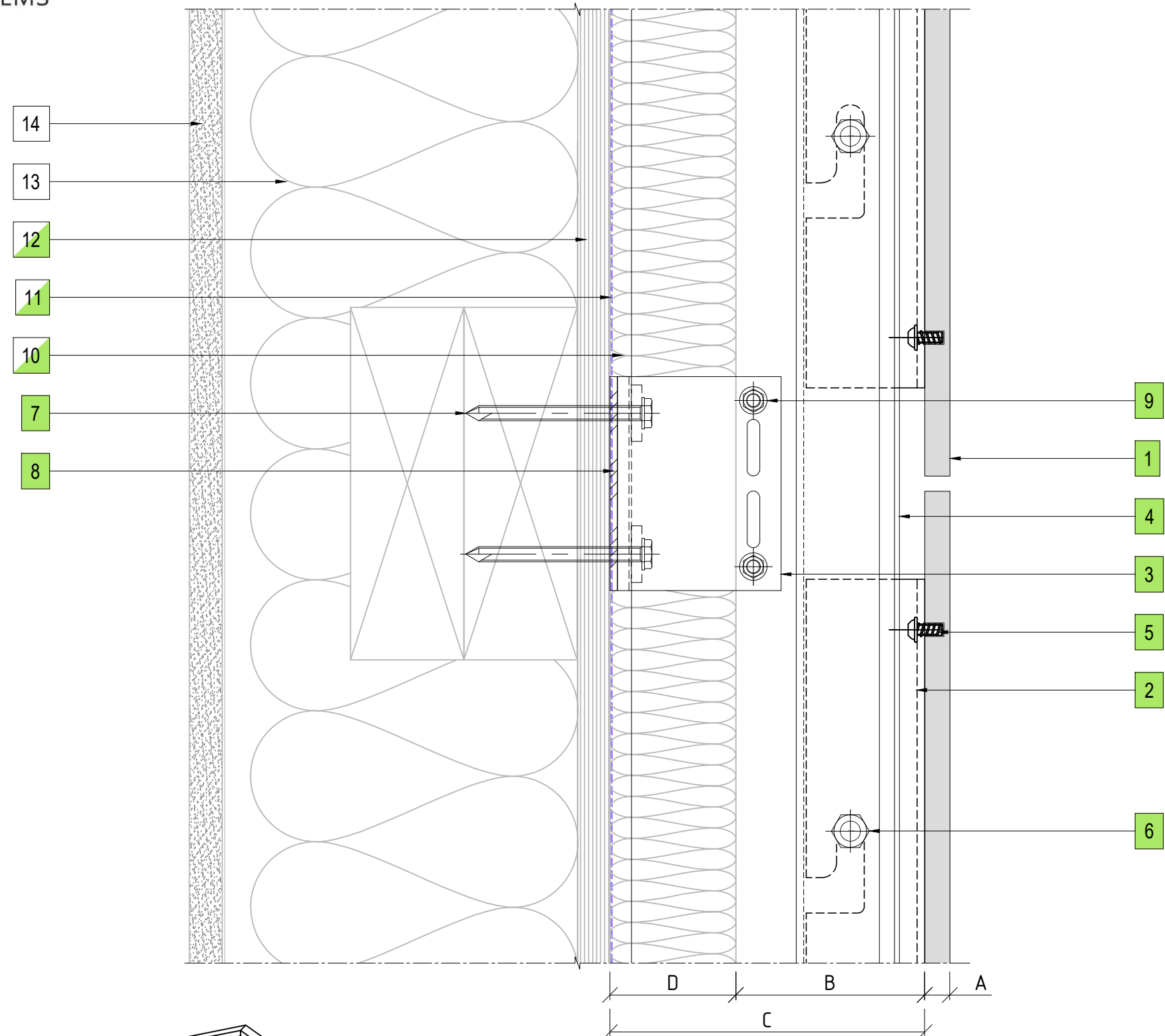
System # :

HPL-EN04-HOA-SF1

Detail # :

09

ENCLAD™ RAINSCREEN SYSTEMS

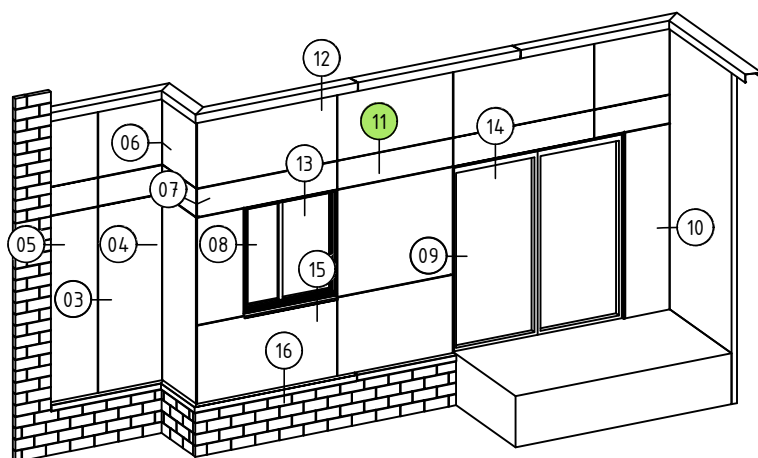


LEGEND

| | |
|---|---|
| A | ENCLAD™ HIGH PRESSURE LAMINATE |
| B | 62mm - 75mm NOMINAL VENTILATION ZONE (AIR GAP) |
| C | * 125mm SYSTEM CAVITY TO ACCOMMODATE 50mm THICK INSULATION |
| D | * 50mm INSULATION (OPTION BY INSITE) FIRE STOP (OPTION BY INSITE) |
| * | OTHER OPTIONS AVAILABLE (PROJECT SPECIFIC) 137mm SYSTEM CAVITY FOR 75mm THICK INSULATION 162mm SYSTEM CAVITY FOR 100mm THICK INSULATION |

PARTS LIST

| | |
|----|--|
| 1 | ENCLAD™ HPL PANEL |
| 2 | ENCLAD EN01 ALUMINIUM SUPPORT PROFILE |
| 3 | ENCLAD EN01 ALUMINIUM HELPING HAND BRACKET |
| 4 | ENCLAD EN01 ALUMINIUM CHANNEL PROFILE |
| 5 | ENCLAD PANEL FIXING (STAINLESS STEEL) |
| 6 | ENCLAD FIXING FOR HOOK (STAINLESS STEEL) |
| 7 | ENCLAD HOST STRUCTURAL FIXING (STAINLESS STEEL) |
| 8 | ENCLAD THERMAL ISOLATION PAD |
| 9 | ENCLAD BRACKET TO RAIL FIXING (STAINLESS STEEL) |
| 10 | CAVITY INSULATION (OPTION BY INSITE) |
| 11 | BUILDING WRAP / MEMBRANE (OPTION BY INSITE) |
| 12 | RIGID AIR BARRIER / SHEATHING BOARD (OPTION BY INSITE) |
| 13 | WALL INSULATION (BY OTHERS) |
| 14 | PLASTER BOARD (BY OTHERS) |



11 HORIZONTAL PANEL JOINT DETAIL
ENCLAD™ HPL PANEL

Cladding Type :

**ENCLAD™ HPL -
HIGH PRESSURE LAMINATE**

Support System :

ENCLAD™ EN04 - HOOK ON SECRET FIXED

Detail Description :

HORIZONTAL PANEL JOINT DETAIL (SECTION VIEW)

Scale @ A3 : 1:2

Rev. : NOV 2022

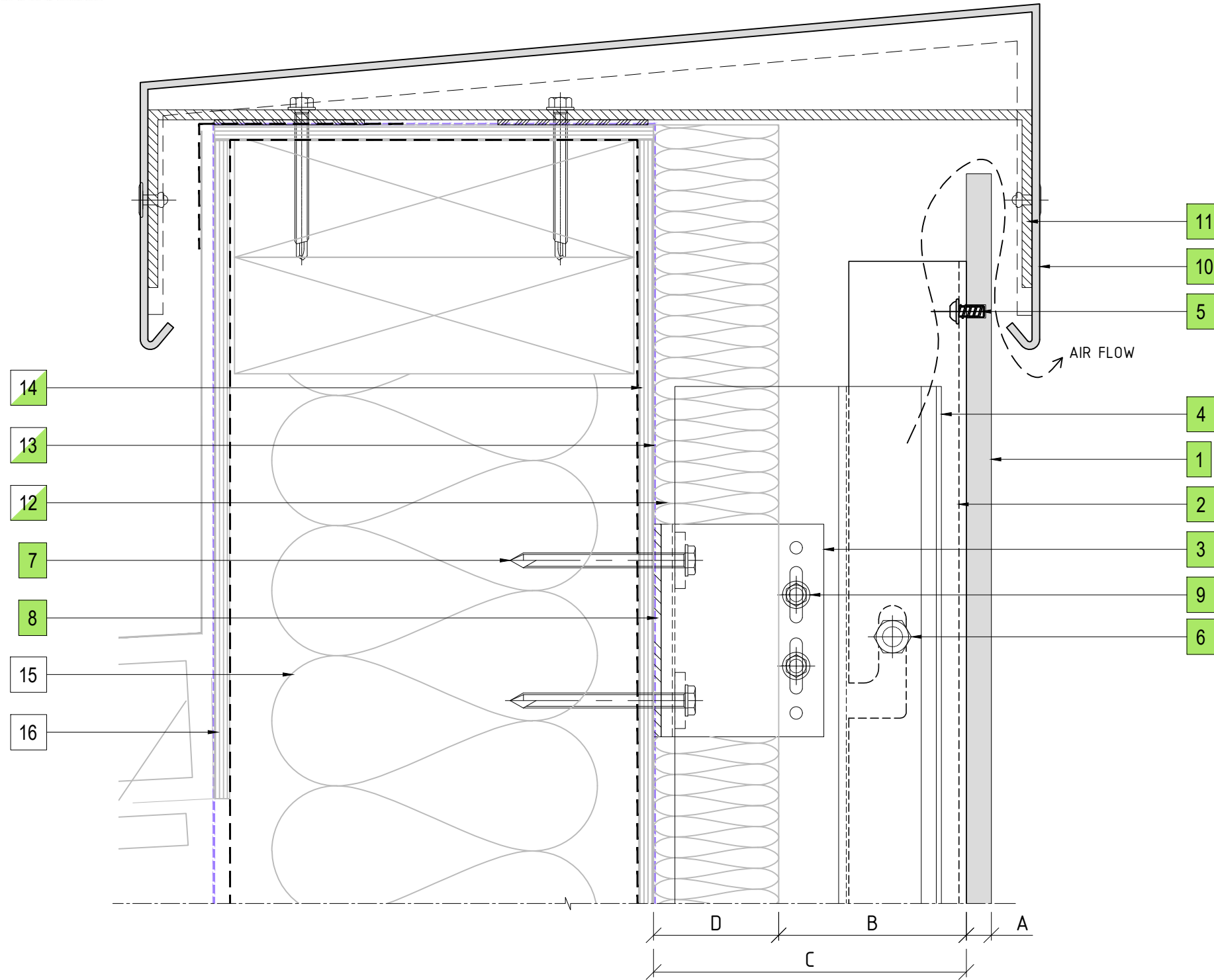
System # :

HPL-EN04-HOA-SF1

Detail # :

11

ENCLAD™ RAINSCREEN SYSTEMS



| LEGEND | |
|--------|---|
| A | ENCLAD™ HIGH PRESSURE LAMINATE |
| B | 62mm - 75mm NOMINAL VENTILATION ZONE (AIR GAP) |
| C | * 125mm SYSTEM CAVITY TO ACCOMMODATE 50mm THICK INSULATION |
| D | * 50mm INSULATION (OPTION BY INSITE) FIRE STOP (OPTION BY INSITE) |
| * | OTHER OPTIONS AVAILABLE (PROJECT SPECIFIC) 137mm SYSTEM CAVITY FOR 75mm THICK INSULATION 162mm SYSTEM CAVITY FOR 100mm THICK INSULATION |

| PARTS LIST | |
|------------|--|
| 1 | ENCLAD™ HPL PANEL |
| 2 | ENCLAD EN01 ALUMINIUM SUPPORT PROFILE |
| 3 | ENCLAD EN01 ALUMINIUM HELPING HAND BRACKET |
| 4 | ENCLAD EN01 ALUMINIUM CHANNEL PROFILE |
| 5 | ENCLAD PANEL FIXING (STAINLESS STEEL) |
| 6 | ENCLAD FIXING FOR HOOK (STAINLESS STEEL) |
| 7 | ENCLAD HOST STRUCTURAL FIXING (STAINLESS STEEL) |
| 8 | ENCLAD THERMAL ISOLATION PAD |
| 9 | ENCLAD BRACKET TO RAIL FIXING (STAINLESS STEEL) |
| 10 | ENCLAD ALUMINIUM FLASHING |
| 11 | ENCLAD ALUMINIUM BRACKET |
| 12 | CAVITY INSULATION (OPTION BY INSITE) |
| 13 | BUILDING WRAP / MEMBRANE (OPTION BY INSITE) |
| 14 | RIGID AIR BARRIER / SHEATHING BOARD (OPTION BY INSITE) |
| 15 | WALL INSULATION (BY OTHERS) |
| 16 | PLASTER BOARD (BY OTHERS) |

Cladding Type :
ENCLAD™ HPL - HIGH PRESSURE LAMINATE

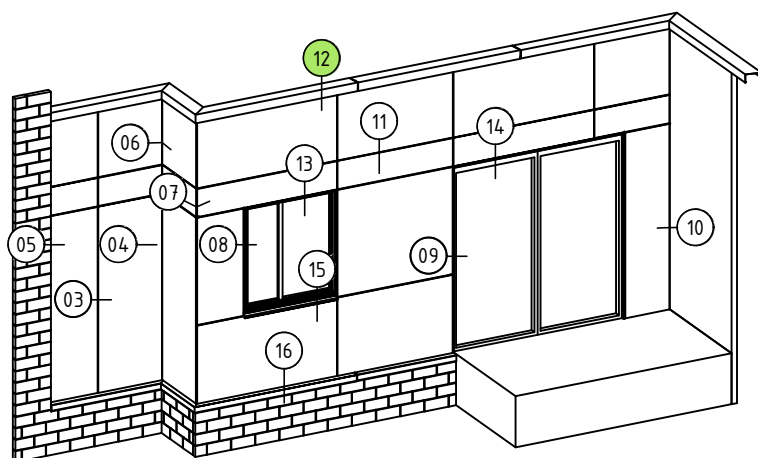
Support System :
ENCLAD™ EN04 - HOOK ON SECRET FIXED

Detail Description :
PARAPET FLASHING DETAIL (SECTION VIEW)

Scale @ A3 : 1:2 Rev. : NOV 2022

System # : **HPL-EN04-HOA-SF1** Detail # : **12**

ENCLAD™ RAINSCREEN SYSTEMS



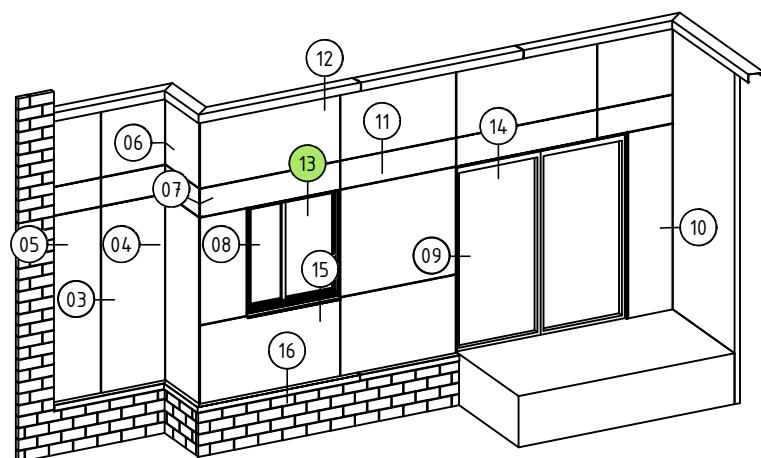
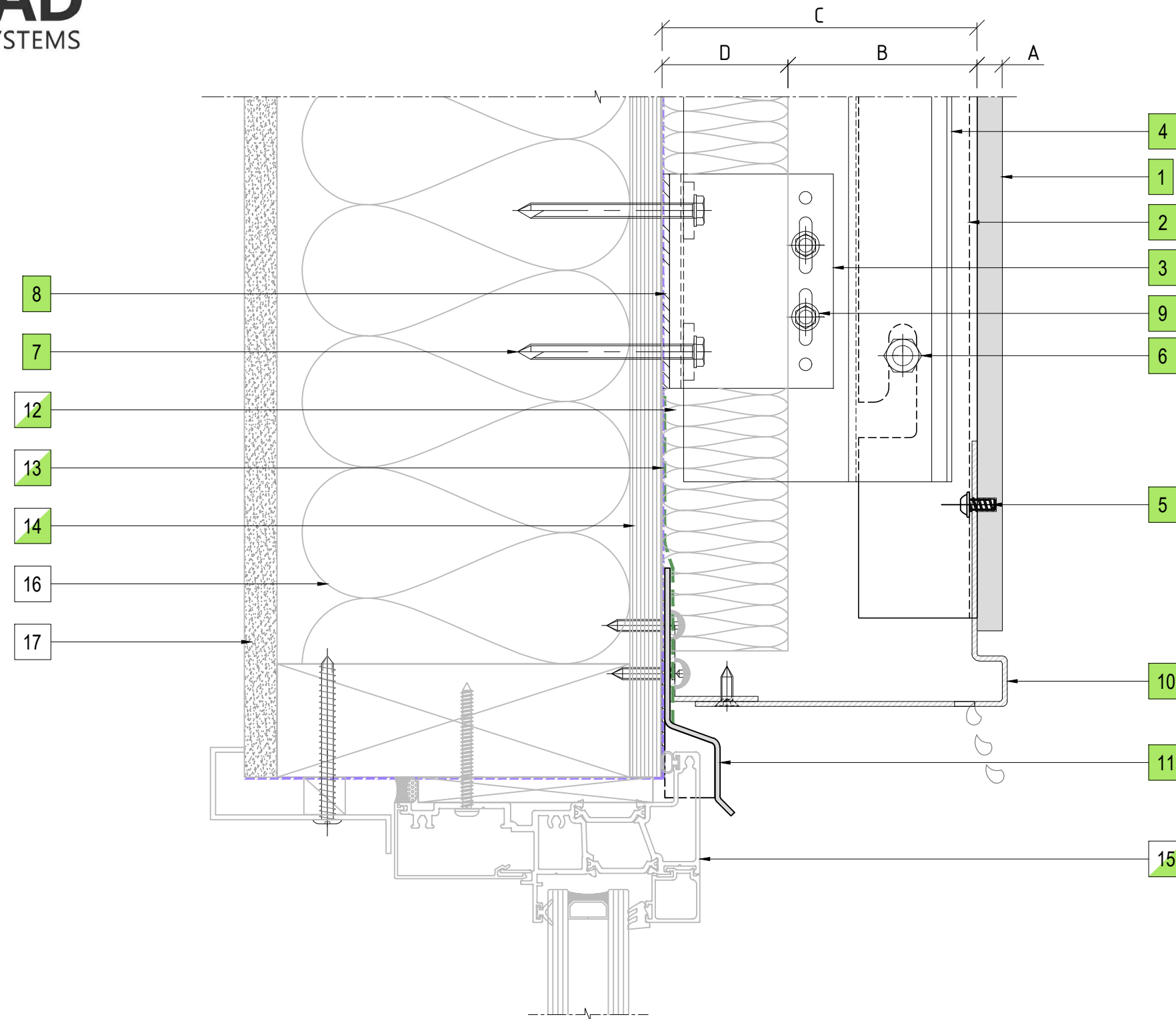
12 PARAPET FLASHING DETAIL
ENCLAD™ HPL PANEL

LEGEND

| | |
|---|---|
| A | ENCLAD™ HIGH PRESSURE LAMINATE |
| B | 62mm - 75mm NOMINAL VENTILATION ZONE (AIR GAP) |
| C | * 125mm SYSTEM CAVITY TO ACCOMMODATE 50mm THICK INSULATION |
| D | * 50mm INSULATION (OPTION BY INSITE) FIRE STOP (OPTION BY INSITE) |
| * | OTHER OPTIONS AVAILABLE (PROJECT SPECIFIC) 137mm SYSTEM CAVITY FOR 75mm THICK INSULATION 162mm SYSTEM CAVITY FOR 100mm THICK INSULATION |

PARTS LIST

| | |
|----|--|
| 1 | ENCLAD™ HPL PANEL |
| 2 | ENCLAD EN01 ALUMINIUM SUPPORT PROFILE |
| 3 | ENCLAD EN01 ALUMINIUM HELPING HAND BRACKET |
| 4 | ENCLAD EN01 ALUMINIUM CHANNEL PROFILE |
| 5 | ENCLAD PANEL FIXING (STAINLESS STEEL) |
| 6 | ENCLAD FIXING FOR HOOK (STAINLESS STEEL) |
| 7 | ENCLAD HOST STRUCTURAL FIXING (STAINLESS STEEL) |
| 8 | ENCLAD THERMAL ISOLATION PAD |
| 9 | ENCLAD BRACKET TO RAIL FIXING (STAINLESS STEEL) |
| 10 | ENCLAD ALUMINIUM CLOSURE |
| 11 | ENCLAD ALUMINIUM FLASHING |
| 12 | CAVITY INSULATION (OPTION BY INSITE) |
| 13 | BUILDING WRAP / MEMBRANE (OPTION BY INSITE) |
| 14 | RIGID AIR BARRIER / SHEATHING BOARD (OPTION BY INSITE) |
| 15 | ALUMINIUM DOORS, WINDOWS & REVEALS (OPTION BY INSITE) |
| 16 | WALL INSULATION (BY OTHERS) |
| 17 | PLASTER BOARD (BY OTHERS) |



13 WINDOW HEAD DETAIL
ENCLAD™ HPL PANEL

Cladding Type :

**ENCLAD™ HPL -
HIGH PRESSURE LAMINATE**

Support System :

ENCLAD™ EN04 - HOOK ON SECRET FIXED

Detail Description :

WINDOW HEAD DETAIL (SECTION VIEW)

Scale @ A3 : 1:2

Rev. : NOV 2022

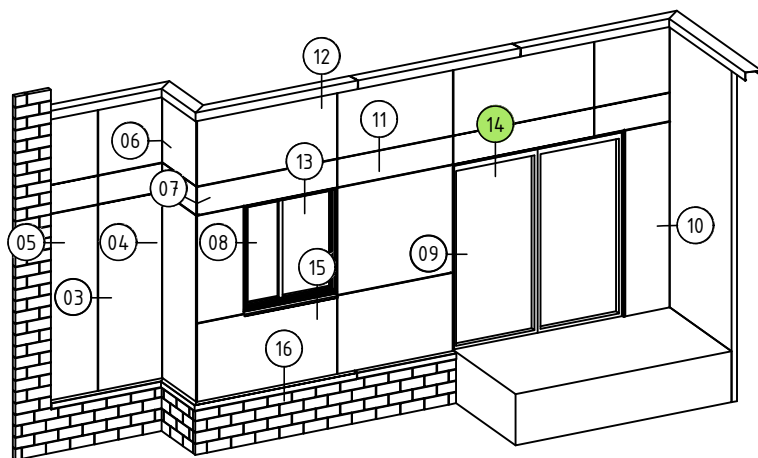
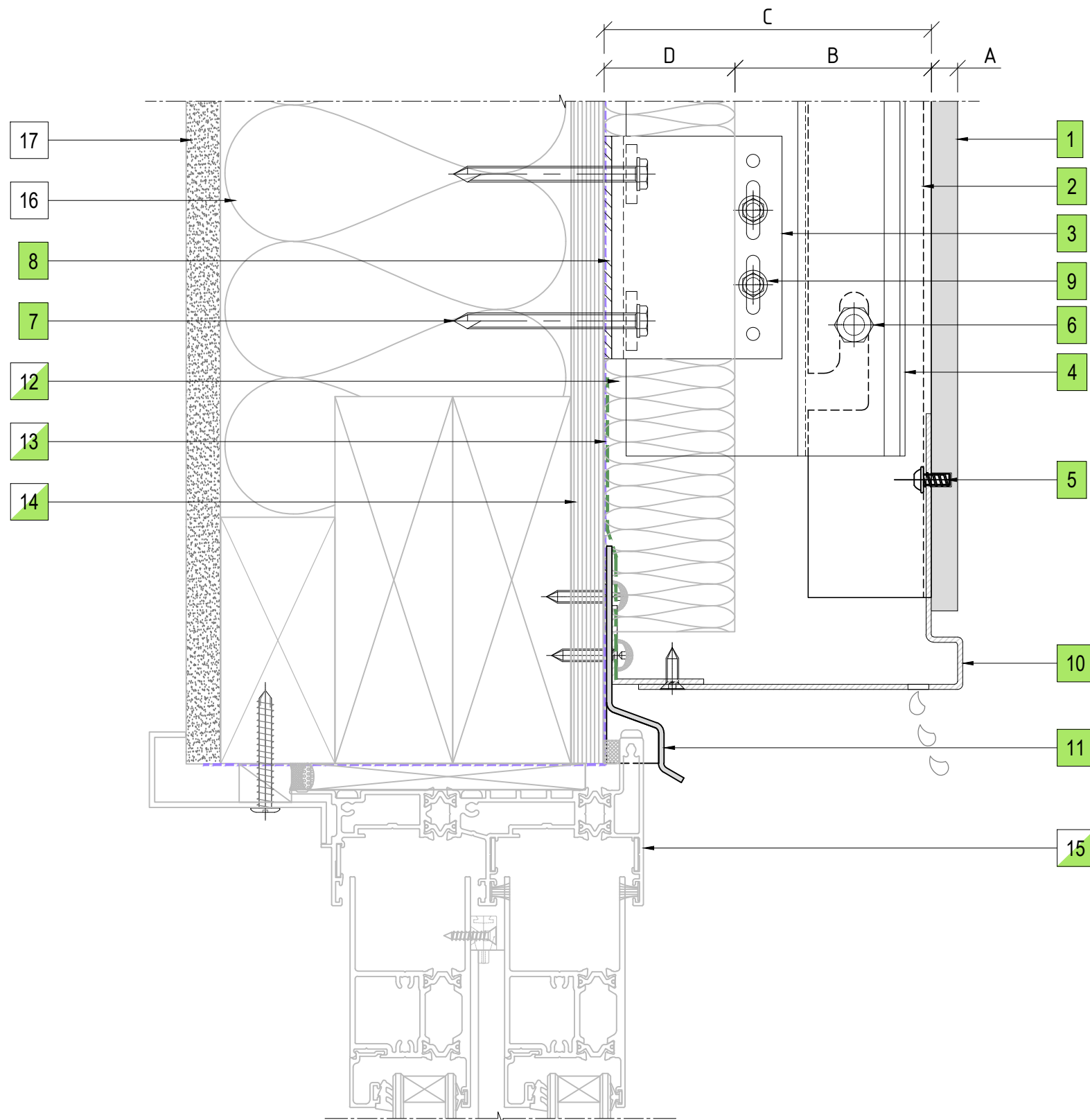
System # :

HPL-EN04-HOA-SF1

Detail # :

13

ENCLAD™ RAINSCREEN SYSTEMS



14 DOOR HEAD DETAIL
ENCLAD™ HPL PANEL

PART OF THE THERMOSASH GROUP COMPANIES :



COPYRIGHT : THESE DESIGNS, DETAILS AND/OR SPECIFICATIONS AND THE COPYRIGHT THEREIN, REMAIN THE PROPERTY OF INSITE FACADES LTD.

DISCLAIMER : THESE DETAILS ARE PROVIDED FOR INDICATIVE PURPOSES ONLY. CONSTRUCTION/SYSTEM DETAILS CAN VARY DEPENDING ON PROJECT SPECIFIC SPECIFICATION AND ENGINEERING REQUIREMENTS. THE DESIGNER IS RESPONSIBLE FOR ENSURING DETAILS SATISFY ALL NEW ZEALAND BUILDING CODE CLAUSES. THE DESIGNER IS RESPONSIBLE FOR ENSURING BUILDING WRAPS, FIRESTOPS AND INSULATION/SPECIFICATION COMPLY WITH MANUFACTURERS RECOMMENDATIONS AND NZBC REGULATIONS. REFER TO INSITE WEBSITE FOR FULL TERMS AND CONDITIONS.

LEGEND

| | |
|---|---|
| A | ENCLAD™ HIGH PRESSURE LAMINATE |
| B | 62mm - 75mm NOMINAL VENTILATION ZONE (AIR GAP) |
| C | * 125mm SYSTEM CAVITY TO ACCOMMODATE 50mm THICK INSULATION |
| D | * 50mm INSULATION (OPTION BY INSITE) FIRE STOP (OPTION BY INSITE) |
| * | OTHER OPTIONS AVAILABLE (PROJECT SPECIFIC) 137mm SYSTEM CAVITY FOR 75mm THICK INSULATION 162mm SYSTEM CAVITY FOR 100mm THICK INSULATION |

PARTS LIST

| | |
|----|--|
| 1 | ENCLAD™ HPL PANEL |
| 2 | ENCLAD EN01 ALUMINIUM SUPPORT PROFILE |
| 3 | ENCLAD EN01 ALUMINIUM HELPING HAND BRACKET |
| 4 | ENCLAD EN01 ALUMINIUM CHANNEL PROFILE |
| 5 | ENCLAD PANEL FIXING (STAINLESS STEEL) |
| 6 | ENCLAD FIXING FOR HOOK (STAINLESS STEEL) |
| 7 | ENCLAD HOST STRUCTURAL FIXING (STAINLESS STEEL) |
| 8 | ENCLAD THERMAL ISOLATION PAD |
| 9 | ENCLAD BRACKET TO RAIL FIXING (STAINLESS STEEL) |
| 10 | ENCLAD ALUMINIUM CLOSURE |
| 11 | ENCLAD ALUMINIUM FLASHING |
| 12 | CAVITY INSULATION (OPTION BY INSITE) |
| 13 | BUILDING WRAP / MEMBRANE (OPTION BY INSITE) |
| 14 | RIGID AIR BARRIER / SHEATHING BOARD (OPTION BY INSITE) |
| 15 | ALUMINIUM DOORS, WINDOWS & REVEALS (OPTION BY INSITE) |
| 16 | WALL INSULATION (BY OTHERS) |
| 17 | PLASTER BOARD (BY OTHERS) |

Cladding Type :

**ENCLAD™ HPL -
HIGH PRESSURE LAMINATE**

Support System :

ENCLAD™ EN04 - HOOK ON SECRET FIXED

Detail Description :

DOOR HEAD DETAIL (SECTION VIEW)

Scale @ A3 : 1:2

Rev. : NOV 2022

System # :

HPL-EN04-HOA-SF1

Detail # :

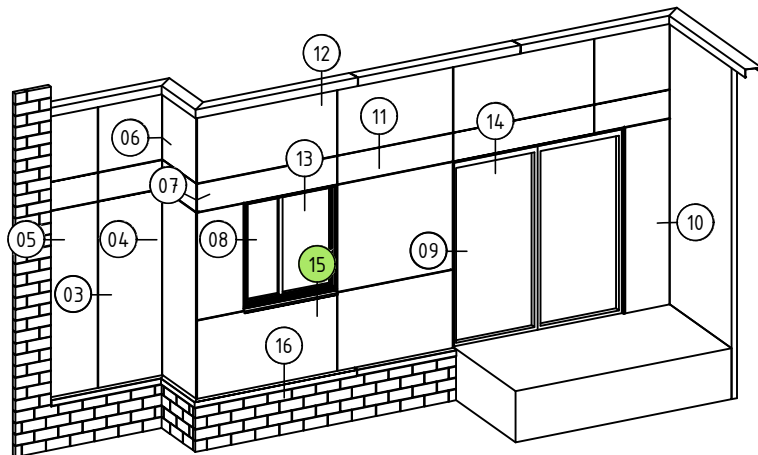
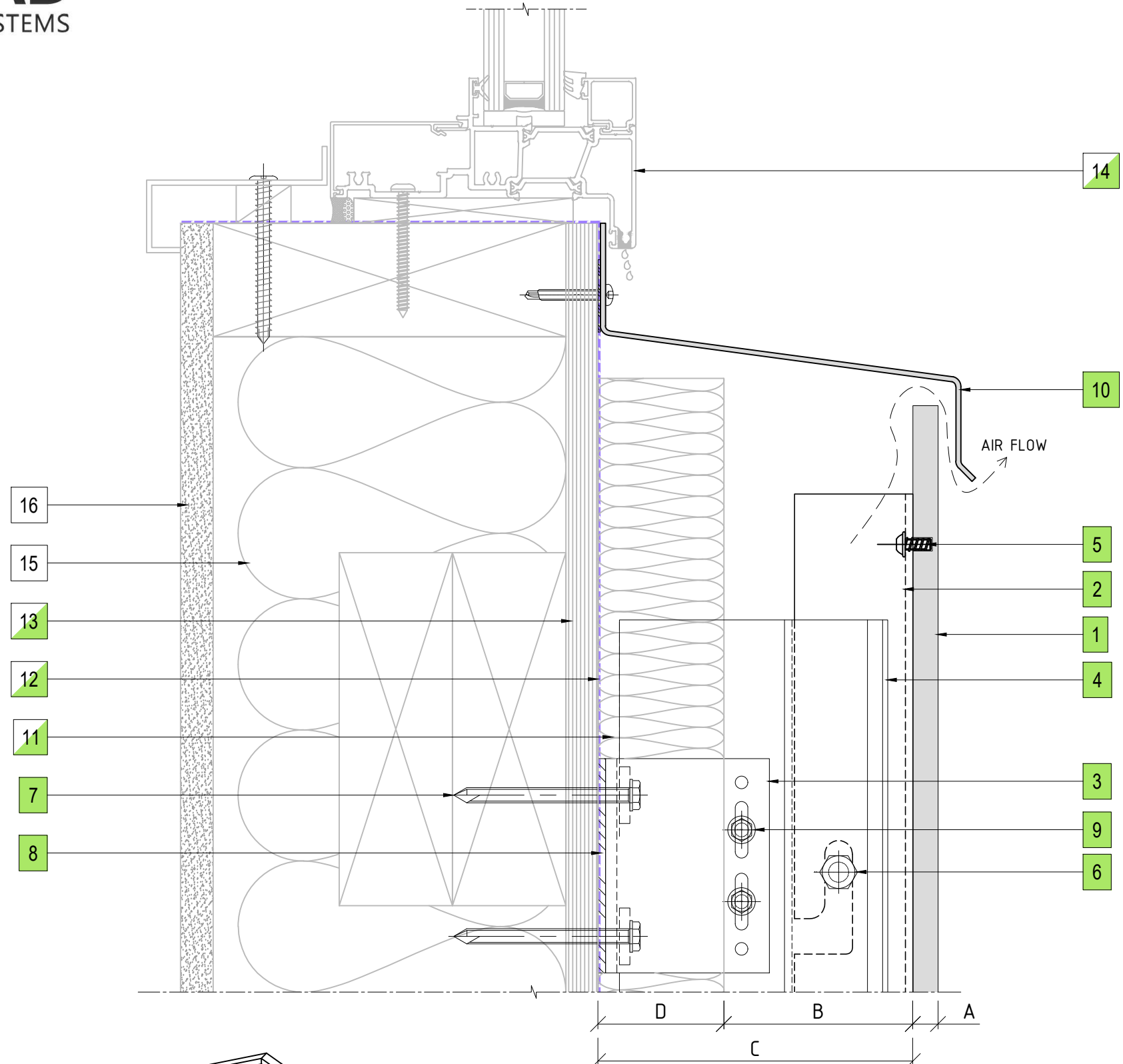
14

ENCLAD™ RAINSCREEN SYSTEMS



101 STATION ROAD, PENROSE,
AUCKLAND 1061
NEW ZEALAND

P: +64 9 307 1529
www.insitefacades.co.nz



15 WINDOW SILL DETAIL
ENCLAD™ HPL PANEL

LEGEND

| | |
|---|---|
| A | ENCLAD™ HIGH PRESSURE LAMINATE |
| B | 62mm - 75mm NOMINAL VENTILATION ZONE (AIR GAP) |
| C | * 125mm SYSTEM CAVITY TO ACCOMMODATE 50mm THICK INSULATION |
| D | * 50mm INSULATION (OPTION BY INSITE) FIRE STOP (OPTION BY INSITE) |
| * | OTHER OPTIONS AVAILABLE (PROJECT SPECIFIC) 137mm SYSTEM CAVITY FOR 75mm THICK INSULATION 162mm SYSTEM CAVITY FOR 100mm THICK INSULATION |

PARTS LIST

| | |
|----|--|
| 1 | ENCLAD™ HPL PANEL |
| 2 | ENCLAD EN01 ALUMINIUM SUPPORT PROFILE |
| 3 | ENCLAD EN01 ALUMINIUM HELPING HAND BRACKET |
| 4 | ENCLAD EN01 ALUMINIUM CHANNEL PROFILE |
| 5 | ENCLAD PANEL FIXING (STAINLESS STEEL) |
| 6 | ENCLAD FIXING FOR HOOK (STAINLESS STEEL) |
| 7 | ENCLAD HOST STRUCTURAL FIXING (STAINLESS STEEL) |
| 8 | ENCLAD THERMAL ISOLATION PAD |
| 9 | ENCLAD BRACKET TO RAIL FIXING (STAINLESS STEEL) |
| 10 | ENCLAD ALUMINIUM FLASHING |
| 11 | CAVITY INSULATION (OPTION BY INSITE) |
| 12 | BUILDING WRAP / MEMBRANE (OPTION BY INSITE) |
| 13 | RIGID AIR BARRIER / SHEATHING BOARD (OPTION BY INSITE) |
| 14 | ALUMINIUM DOORS, WINDOWS & REVEALS (OPTION BY INSITE) |
| 15 | WALL INSULATION (BY OTHERS) |
| 16 | PLASTER BOARD (BY OTHERS) |

Cladding Type :

**ENCLAD™ HPL -
HIGH PRESSURE LAMINATE**

Support System :

ENCLAD™ EN04 - HOOK ON SECRET FIXED

Detail Description :

WINDOW SILL DETAIL (SECTION VIEW)

Scale @ A3 : 1:2

Rev. : NOV 2022

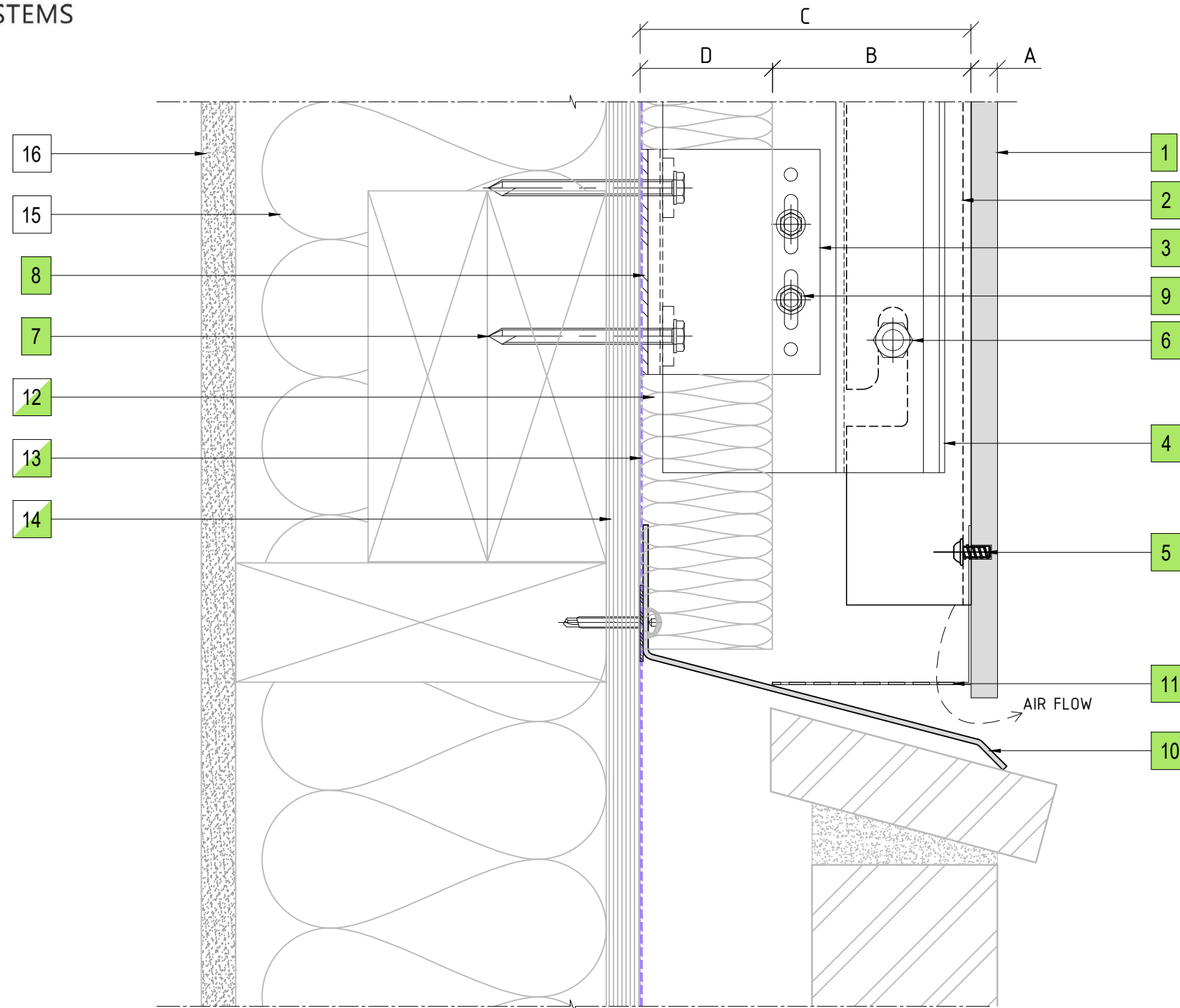
System # :

HPL-EN04-HOA-SF1

Detail # :

15

ENCLAD™ RAINSCREEN SYSTEMS



LEGEND

| | |
|---|---|
| A | ENCLAD™ HIGH PRESSURE LAMINATE |
| B | 62mm - 75mm NOMINAL VENTILATION ZONE (AIR GAP) |
| C | * 125mm SYSTEM CAVITY TO ACCOMMODATE 50mm THICK INSULATION |
| D | * 50mm INSULATION (OPTION BY INSITE) FIRE STOP (OPTION BY INSITE) |
| * | OTHER OPTIONS AVAILABLE (PROJECT SPECIFIC) 137mm SYSTEM CAVITY FOR 75mm THICK INSULATION 162mm SYSTEM CAVITY FOR 100mm THICK INSULATION |

PARTS LIST

| | |
|----|--|
| 1 | ENCLAD™ HPL PANEL |
| 2 | ENCLAD EN01 ALUMINIUM SUPPORT PROFILE |
| 3 | ENCLAD EN01 ALUMINIUM HELPING HAND BRACKET |
| 4 | ENCLAD EN01 ALUMINIUM CHANNEL PROFILE |
| 5 | ENCLAD PANEL FIXING (STAINLESS STEEL) |
| 6 | ENCLAD FIXING FOR HOOK (STAINLESS STEEL) |
| 7 | ENCLAD HOST STRUCTURAL FIXING (STAINLESS STEEL) |
| 8 | ENCLAD THERMAL ISOLATION PAD |
| 9 | ENCLAD BRACKET TO RAIL FIXING (STAINLESS STEEL) |
| 10 | ENCLAD ALUMINIUM FLASHING |
| 11 | ENCLAD ALUMINIUM CLOSURE |
| 12 | CAVITY INSULATION (OPTION BY INSITE) |
| 13 | BUILDING WRAP / MEMBRANE (OPTION BY INSITE) |
| 14 | RIGID AIR BARRIER / SHEATHING BOARD (OPTION BY INSITE) |
| 15 | WALL INSULATION (BY OTHERS) |
| 16 | PLASTER BOARD (BY OTHERS) |

Cladding Type :

**ENCLAD™ HPL -
HIGH PRESSURE LAMINATE**

Support System :

ENCLAD™ EN04 - HOOK ON SECRET FIXED

Detail Description :

BRICKWALL AT BASE DRIP DETAIL (SECTION VIEW)

Scale @ A3 : 1:2

Rev. : NOV 2022

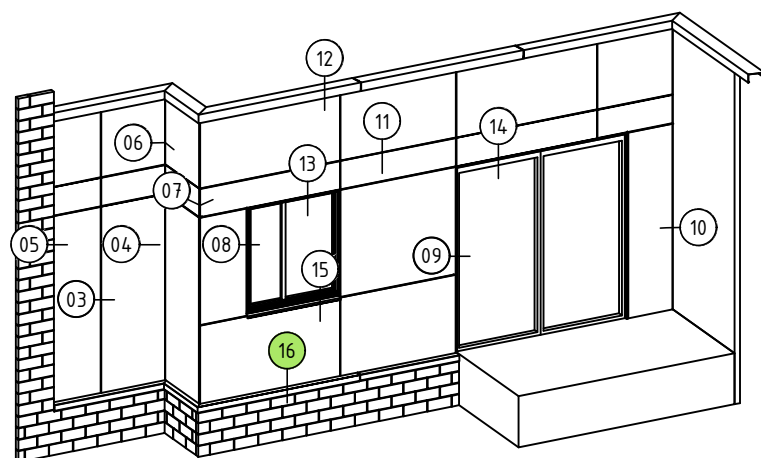
System # :

HPL-EN04-HOA-SF1

Detail # :

16

ENCLAD™ RAINSCREEN SYSTEMS



16 BRICKWALL AT BASE DRIP DETAIL
ENCLAD™ HPL PANEL