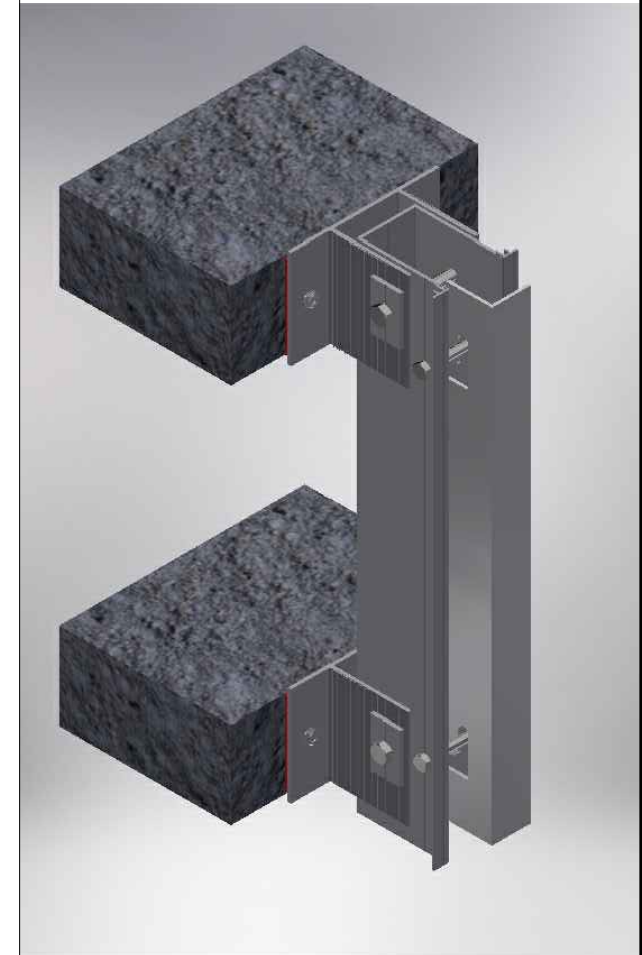


DRAWING REGISTER

PAGE	DETAIL DESCRIPTION	DETAIL #	REV.
00/17	COVER PAGE	00	NOV 22
01/17	CAVITY SET OUT	01	NOV 22
02/17	SCHEMATIC	02	NOV 22
03/17	VERTICAL PANEL JOINT DETAIL (PLAN VIEW)	03	NOV 22
04/17	PANEL MIDSPAN SUPPORT DETAIL (PLAN VIEW)	04	NOV 22
05/17	BRICKWALL ABUTMENT DETAIL (PLAN VIEW)	05	NOV 22
06/17	INTERNAL CORNER PANEL DETAIL (PLAN VIEW)	06	NOV 22
07/17	EXTERNAL CORNER PANEL DETAIL (PLAN VIEW)	07	NOV 22
08/17	WINDOW JAMB DETAIL (PLAN VIEW)	08	NOV 22
09/17	DOOR JAMB DETAIL (PLAN VIEW)	09	NOV 22
10/17	CONCRETE WALL ABUTMENT DETAIL (PLAN VIEW)	10	NOV 22
11/17	HORIZONTAL PANEL JOINT DETAIL (SECTION VIEW)	11	NOV 22
12/17	PARAPET FLASHING DETAIL (SECTION VIEW)	12	NOV 22
13/17	WINDOW HEAD DETAIL (SECTION VIEW)	13	NOV 22
14/17	DOOR HEAD DETAIL (SECTION VIEW)	14	NOV 22
15/17	WINDOW SILL DETAIL (SECTION VIEW)	15	NOV 22
16/17	BRICKWALL AT BASE DRIP DETAIL (SECTION VIEW)	16	NOV 22
17/17	FLOOR TO FLOOR PANEL JOINT (PLAN & SECTION VIEW)	17	NOV 22



Cladding Type :

ENCLADTM HPL -
HIGH PRESSURE LAMINATE

Support System :

ENCLADTM EN05-FF - HOOK ON SECRET FIXED

Detail Description :

COVER PAGE

Scale @ A3 :

Rev. : NOV 2022

System # :

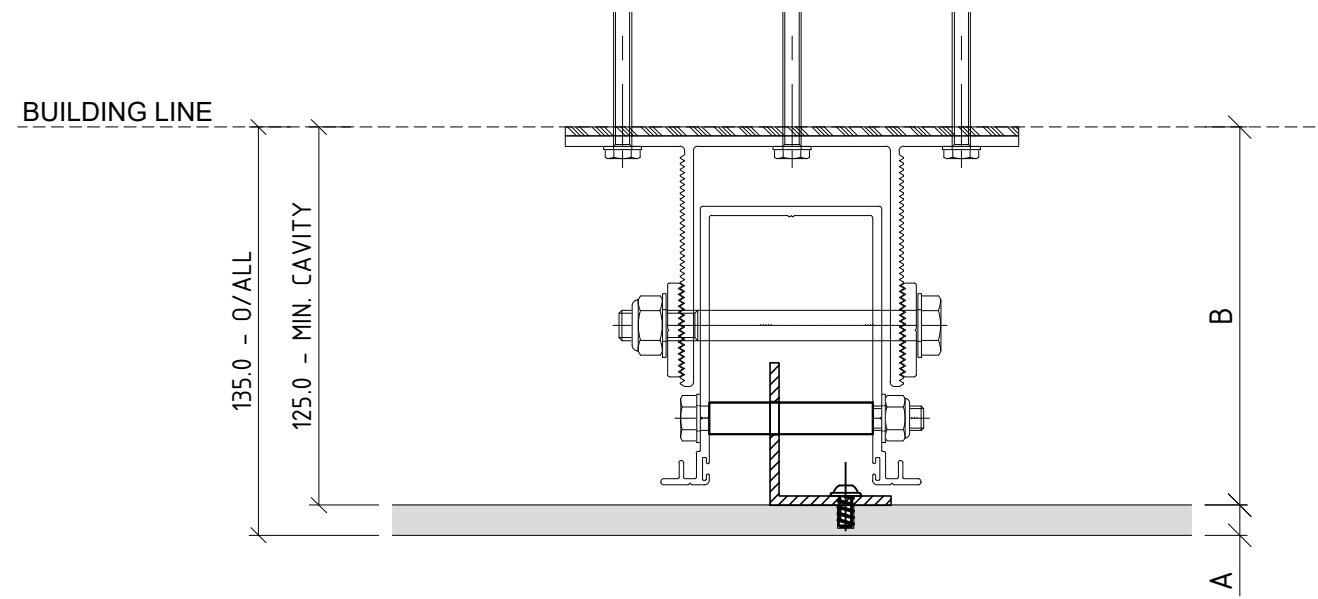
HPL-EN05-FF-HOA-SF2

Detail # :

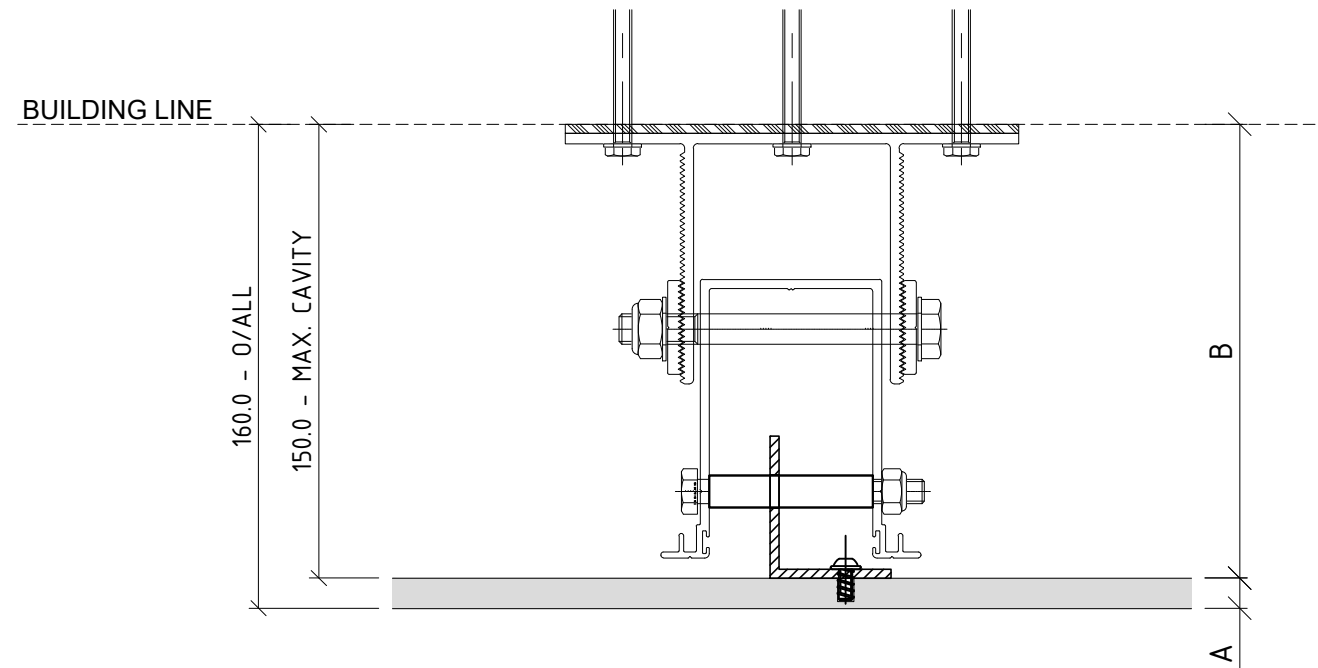
00

ENCLADTM RAINSCREEN SYSTEMS

EN05 - FF - ADJUSTABLE SYSTEM CAVITY



EN05 - FF
MINIMUM SYSTEM CAVITY 125mm



EN05 - FF
MAXIMUM SYSTEM CAVITY 150mm

01 CAVITY SET OUT
ENCLAD™ HPL PANEL

ADJUSTABLE SYSTEMS ACCOMODATE BUILDING TOLERANCE AND INCORPORATION OF INSULATION FOR H1 REQUIREMENTS - STANDARD SYSTEM CAVITY SHOWN - BESPOKE OPTIONS AVAILABLE FOR PROJECT SPECIFIC REQUIREMENTS

PART OF THE THERMOSASH GROUP COMPANIES :



COPYRIGHT : THESE DESIGNS, DETAILS AND/OR SPECIFICATIONS AND THE COPYRIGHT THEREIN, REMAIN THE PROPERTY OF INSITE FACADES LTD.

DISCLAIMER : THESE DETAILS ARE PROVIDED FOR INDICATIVE PURPOSES ONLY. CONSTRUCTION/SYSTEM DETAILS CAN VARY DEPENDING ON PROJECT SPECIFIC SPECIFICATION AND ENGINEERING REQUIREMENTS. THE DESIGNER IS RESPONSIBLE FOR ENSURING DETAILS SATISFY ALL NEW ZEALAND BUILDING CODE CLAUSES. THE DESIGNER IS RESPONSIBLE FOR ENSURING BUILDING WRAPS, FIRESTOPS AND INSULATION/SPECIFICATION COMPLY WITH MANUFACTURERS RECOMMENDATIONS AND NZBC REGULATIONS. REFER TO INSITE WEBSITE FOR FULL TERMS AND CONDITIONS.

LEGEND

A	ENCLAD™ HIGH PRESSURE LAMINATE
B	* SYSTEM CAVITY (125mm MIN. - 150mm MAX.)
*	OTHER OPTIONS AVAILABLE (PROJECT SPECIFIC)

Cladding Type :

ENCLAD™ HPL - HIGH PRESSURE LAMINATE

Support System :

ENCLAD™ EN05-FF - HOOK ON SECRET FIXED

Detail Description :

CAVITY SETOUT (PLAN VIEW)

Scale @ A3 : 1:2.5

Rev. : NOV 2022

System # :

HPL-EN05-FF-HOA-SF2

Detail # :

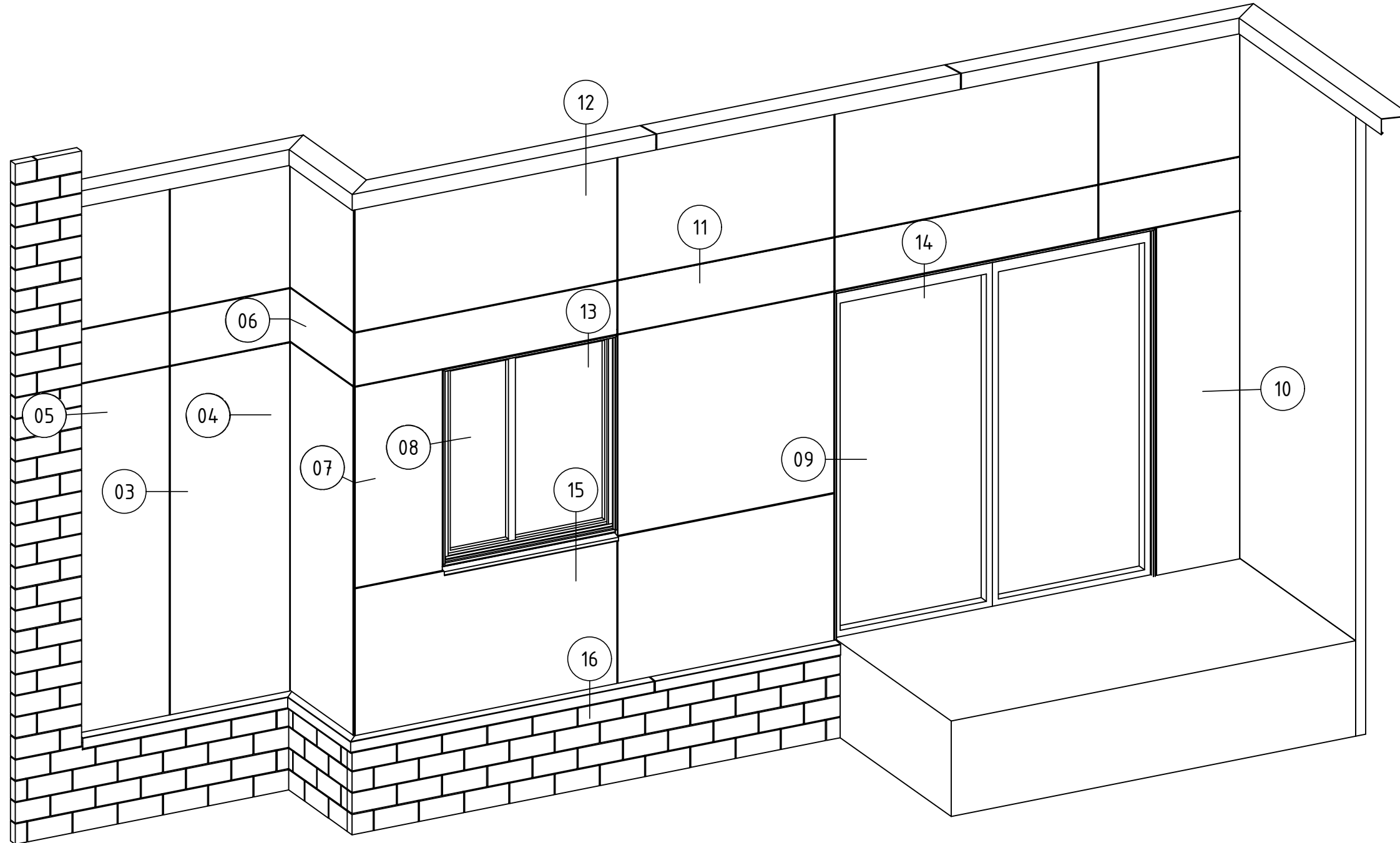
01

ENCLAD™ RAINSCREEN SYSTEMS



101 STATION ROAD, PENROSE,
AUCKLAND 1061
NEW ZEALAND

P: +64 9 307 1529
www.insitefacades.co.nz



02 SCHEMATIC
ENCLAD™ HPL PANEL

Cladding Type :
**ENCLAD™ HPL -
HIGH PRESSURE LAMINATE**

Support System :
ENCLAD™ EN05-FF - HOOK ON SECRET FIXED

Detail Description :
SCHEMATIC

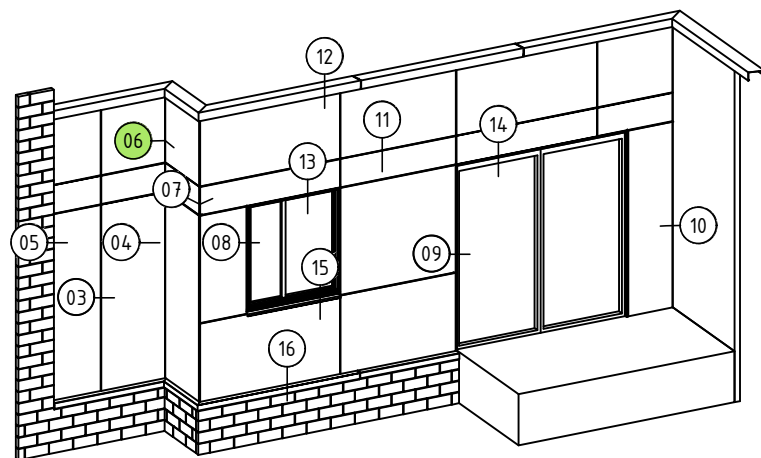
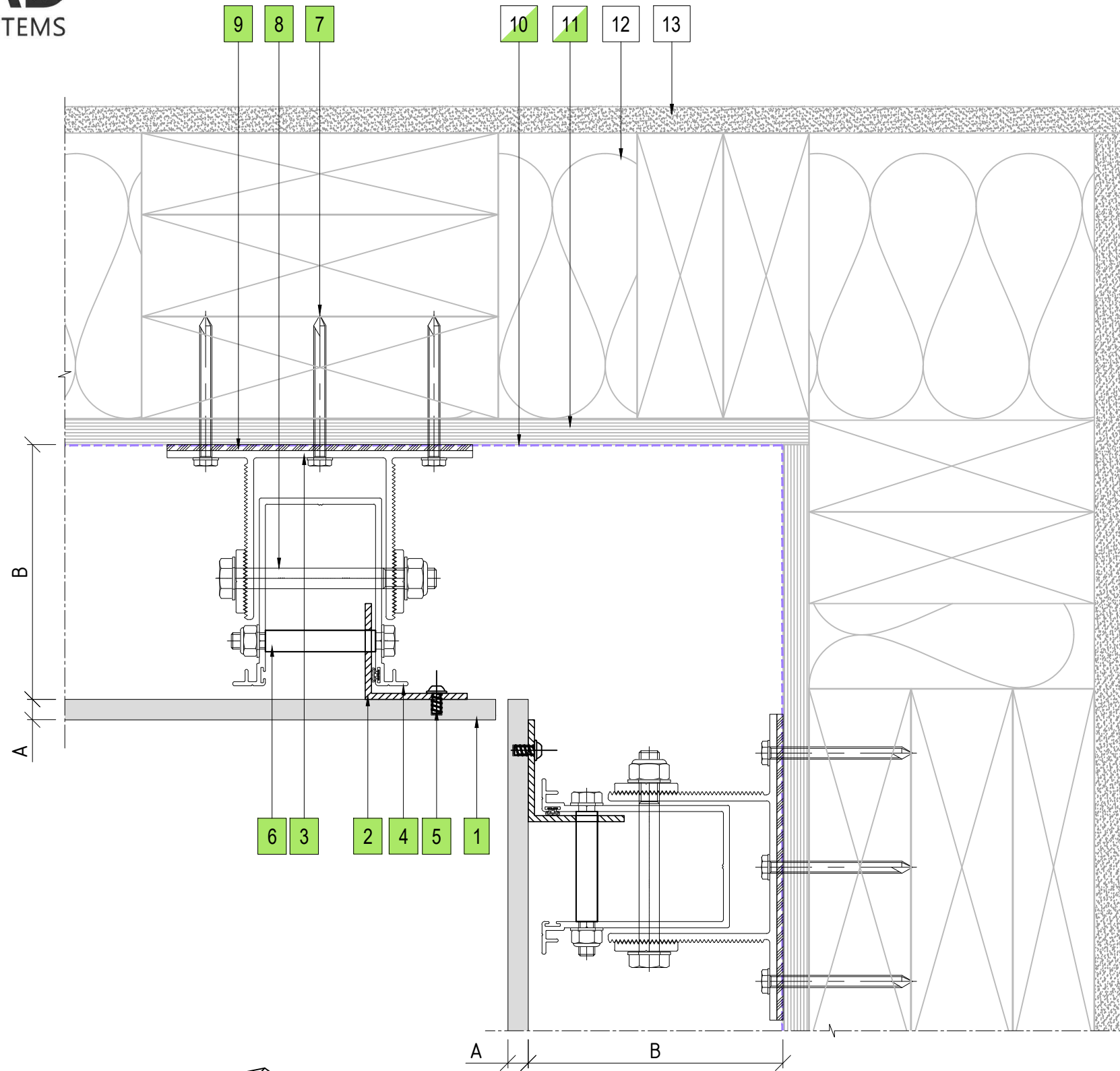
Scale @ A3 : 1:5

Rev. : NOV 2022

System # :
HPL-EN05-FF-HOA-SF2

Detail # :
02

ENCLAD™ RAINSCREEN SYSTEMS



06 INTERNAL CORNER PANEL DETAIL
ENCLAD™ HPL PANEL

LEGEND

A	ENCLAD™ HIGH PRESSURE LAMINATE
B	* SYSTEM CAVITY (125mm MIN. - 150mm MAX.)
*	OTHER OPTIONS AVAILABLE (PROJECT SPECIFIC)

PARTS LIST

1	ENCLAD™ HPL PANEL
2	ENCLAD EN01 ALUMINIUM SUPPORT PROFILE
3	ENCLAD EN01 ALUMINIUM STRONG BACK PROFILE
4	ENCLAD EN01 ALUMINIUM CHANNEL PROFILE
5	ENCLAD PANEL FIXING (STAINLESS STEEL)
6	ENCLAD FIXING FOR HOOK (STAINLESS STEEL)
7	ENCLAD HOST STRUCTURAL FIXING (STAINLESS STEEL)
8	ENCLAD FIXING FOR CHANNEL PROFILE (STAINLESS STEEL)
9	ENCLAD THERMAL ISOLATION PAD
10	BUILDING WRAP / MEMBRANE (OPTION BY INSITE)
11	RIGID AIR BARRIER / SHEATHING BOARD (OPTION BY INSITE)
12	WALL INSULATION (BY OTHERS)
13	PLASTER BOARD (BY OTHERS)

Cladding Type :

**ENCLAD™ HPL -
HIGH PRESSURE LAMINATE**

Support System :

ENCLAD™ EN05-FF - HOOK ON SECRET FIXED

Detail Description :

INTERNAL CORNER PANEL DETAIL (PLAN VIEW)

Scale @ A3 : 1:2.5

Rev. : NOV 2022

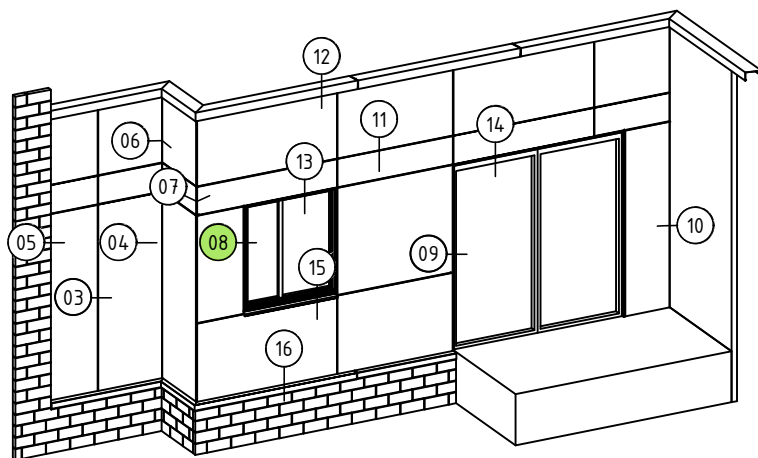
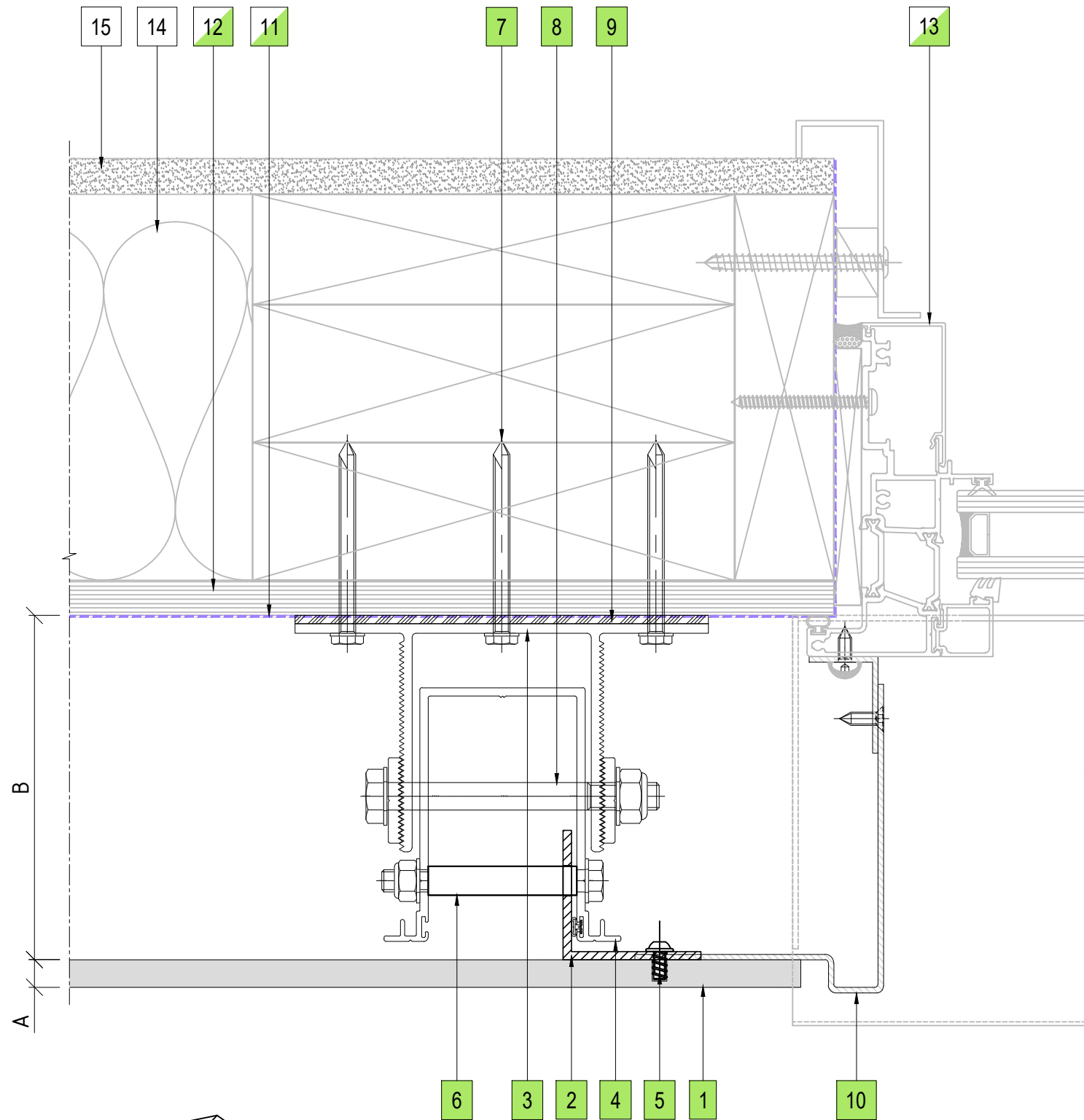
System # :

HPL-EN05-FF-HOA-SF2

Detail # :

06

ENCLAD™ RAINSCREEN SYSTEMS



08 WINDOW JAMB DETAIL
ENCLAD™ HPL PANEL

LEGEND

A	ENCLAD™ HIGH PRESSURE LAMINATE
B	* SYSTEM CAVITY (125mm MIN. - 150mm MAX.)
*	OTHER OPTIONS AVAILABLE (PROJECT SPECIFIC)

PARTS LIST

1	ENCLAD™ HPL PANEL
2	ENCLAD EN01 ALUMINIUM SUPPORT PROFILE
3	ENCLAD EN01 ALUMINIUM STRONG BACK PROFILE
4	ENCLAD EN01 ALUMINIUM CHANNEL PROFILE
5	ENCLAD PANEL FIXING (STAINLESS STEEL)
6	ENCLAD FIXING FOR HOOK (STAINLESS STEEL)
7	ENCLAD HOST STRUCTURAL FIXING (STAINLESS STEEL)
8	ENCLAD FIXING FOR CHANNEL PROFILE (STAINLESS STEEL)
9	ENCLAD THERMAL ISOLATION PAD
10	ENCLAD ALUMINIUM CLOSURE
11	BUILDING WRAP / MEMBRANE (OPTION BY INSITE)
12	RIGID AIR BARRIER / SHEATHING BOARD (OPTION BY INSITE)
13	ALUMINIUM DOORS, WINDOWS & REVEALS (OPTION BY INSITE)
14	WALL INSULATION (BY OTHERS)
15	PLASTER BOARD (BY OTHERS)

Cladding Type :

**ENCLAD™ HPL -
HIGH PRESSURE LAMINATE**

Support System :

ENCLAD™ EN05-FF - HOOK ON SECRET FIXED

Detail Description :

WINDOW JAMB DETAIL (PLAN VIEW)

Scale @ A3 : 1:2

Rev. : NOV 2022

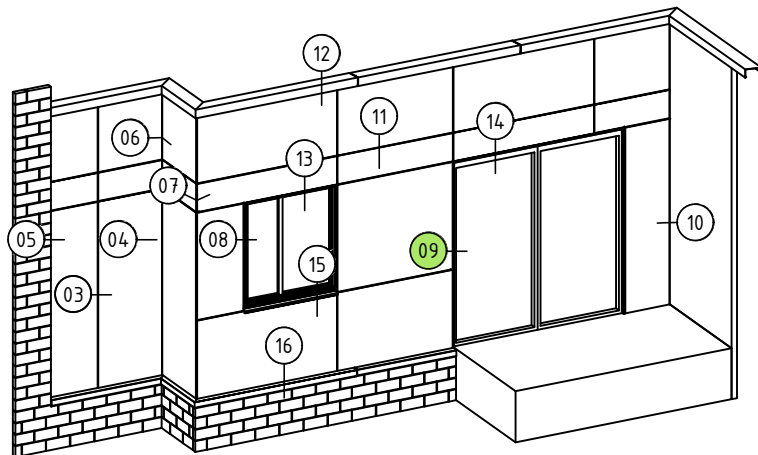
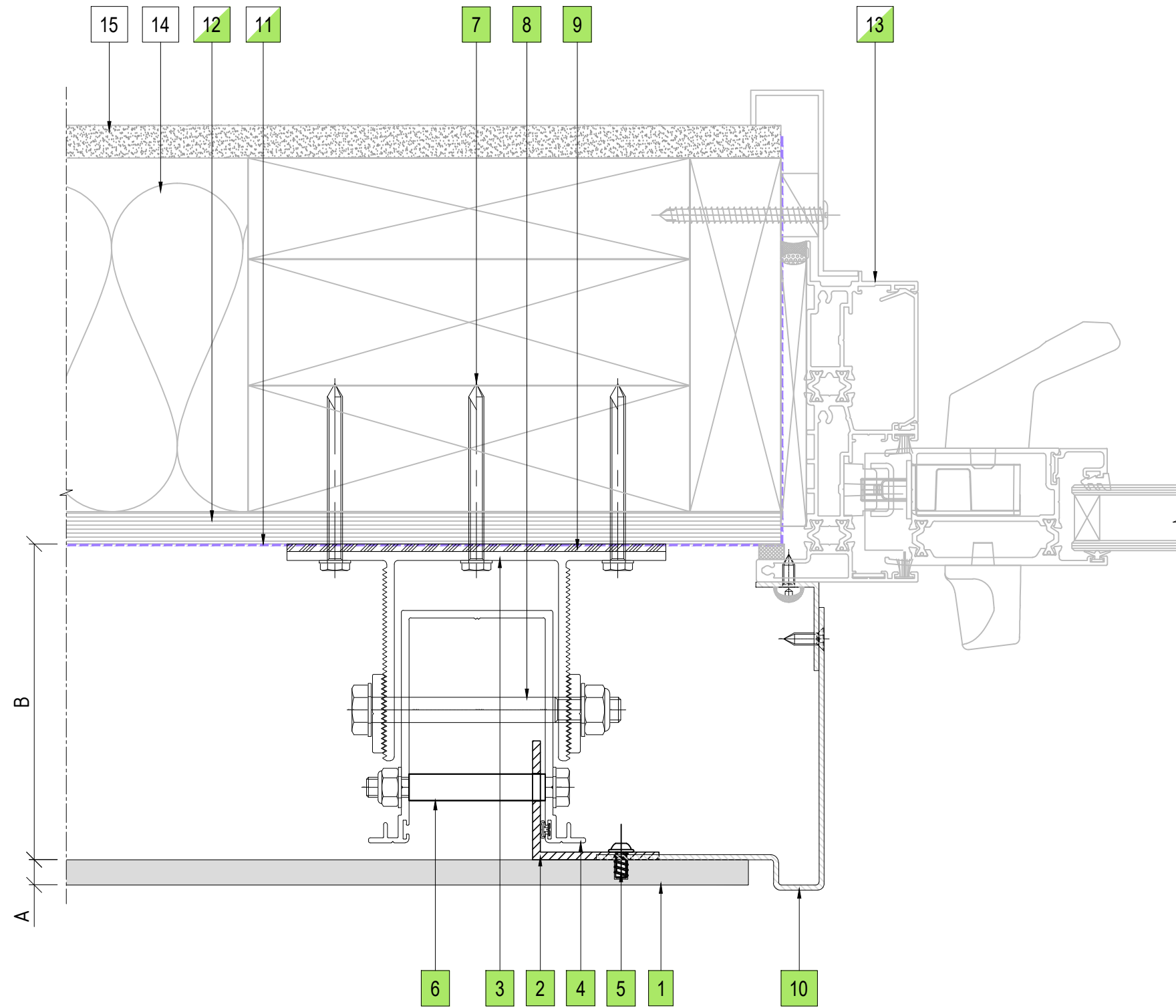
System # :

HPL-EN05-FF-HOA-SF2

Detail # :

08

ENCLAD™ RAINSCREEN SYSTEMS



09 DOOR JAMB DETAIL
ENCLAD™ HPL PANEL

LEGEND

A	ENCLAD™ HIGH PRESSURE LAMINATE
B	* SYSTEM CAVITY (125mm MIN. - 150mm MAX.)
*	OTHER OPTIONS AVAILABLE (PROJECT SPECIFIC)

PARTS LIST

1	ENCLAD™ HPL PANEL
2	ENCLAD EN01 ALUMINIUM SUPPORT PROFILE
3	ENCLAD EN01 ALUMINIUM STRONG BACK PROFILE
4	ENCLAD EN01 ALUMINIUM CHANNEL PROFILE
5	ENCLAD PANEL FIXING (STAINLESS STEEL)
6	ENCLAD FIXING FOR HOOK (STAINLESS STEEL)
7	ENCLAD HOST STRUCTURAL FIXING (STAINLESS STEEL)
8	ENCLAD FIXING FOR CHANNEL PROFILE (STAINLESS STEEL)
9	ENCLAD THERMAL ISOLATION PAD
10	ENCLAD ALUMINIUM CLOSURE
11	BUILDING WRAP / MEMBRANE (OPTION BY INSITE)
12	RIGID AIR BARRIER / SHEATHING BOARD (OPTION BY INSITE)
13	ALUMINIUM DOORS, WINDOWS & REVEALS (OPTION BY INSITE)
14	WALL INSULATION (BY OTHERS)
15	PLASTER BOARD (BY OTHERS)

Cladding Type :

**ENCLAD™ HPL -
HIGH PRESSURE LAMINATE**

Support System :

ENCLAD™ EN05-FF - HOOK ON SECRET FIXED

Detail Description :

DOOR JAMB DETAIL (PLAN VIEW)

Scale @ A3 : 1:2

Rev. : NOV 2022

System # :

HPL-EN05-FF-HOA-SF2

Detail # :

09

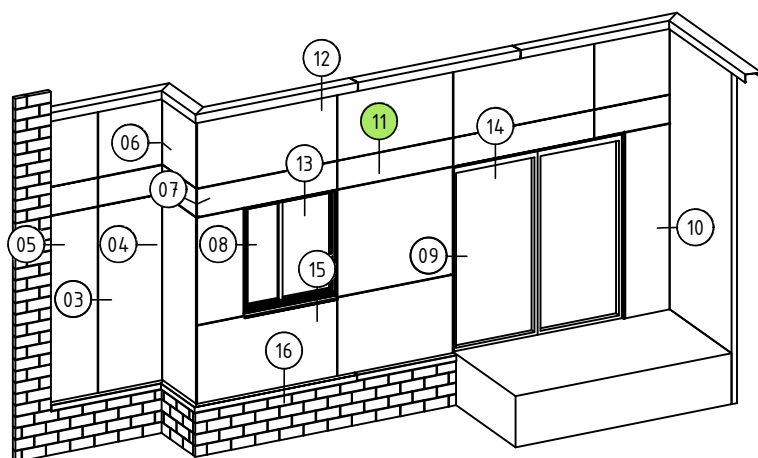
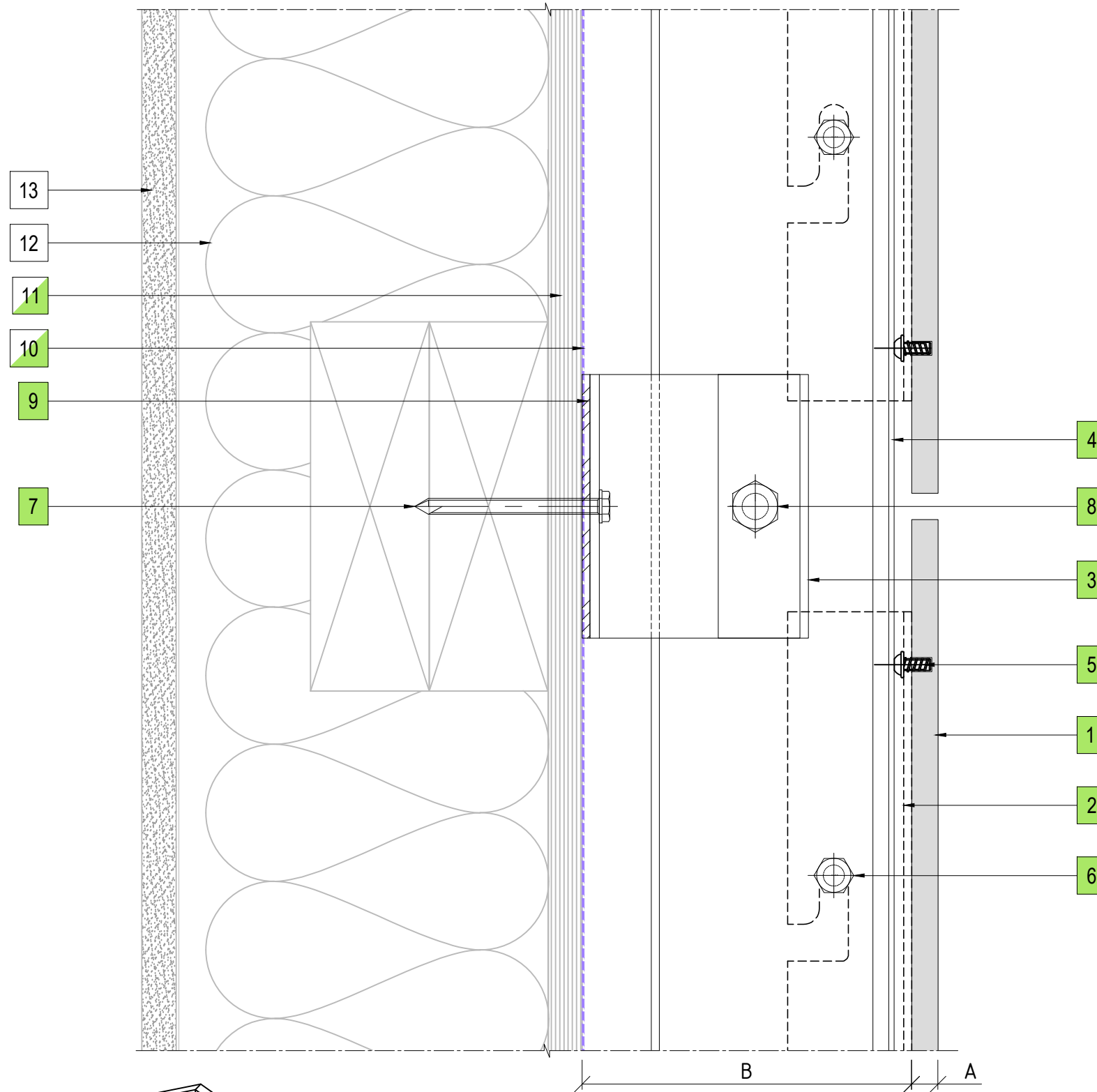
ENCLAD™ RAINSCREEN SYSTEMS

LEGEND

A	ENCLAD™ HIGH PRESSURE LAMINATE
B	* SYSTEM CAVITY (125mm MIN. - 150mm MAX.)
*	OTHER OPTIONS AVAILABLE (PROJECT SPECIFIC)

PARTS LIST

1	ENCLAD™ HPL PANEL
2	ENCLAD EN01 ALUMINIUM SUPPORT PROFILE
3	ENCLAD EN01 ALUMINIUM STRONG BACK PROFILE
4	ENCLAD EN01 ALUMINIUM CHANNEL PROFILE
5	ENCLAD PANEL FIXING (STAINLESS STEEL)
6	ENCLAD FIXING FOR HOOK (STAINLESS STEEL)
7	ENCLAD HOST STRUCTURAL FIXING (STAINLESS STEEL)
8	ENCLAD FIXING FOR CHANNEL PROFILE (STAINLESS STEEL)
9	ENCLAD THERMAL ISOLATION PAD
10	BUILDING WRAP / MEMBRANE (OPTION BY INSITE)
11	RIGID AIR BARRIER / SHEATHING BOARD (OPTION BY INSITE)
12	WALL INSULATION (BY OTHERS)
13	PLASTER BOARD (BY OTHERS)



11 HORIZONTAL PANEL JOINT DETAIL
ENCLAD™ HPL PANEL

Cladding Type :
ENCLAD™ HPL - HIGH PRESSURE LAMINATE

Support System :
ENCLAD™ EN05-FF - HOOK ON SECRET FIXED

Detail Description :
HORIZONTAL PANEL JOINT DETAIL (SECTION VIEW)

Scale @ A3 : 1:2

Rev. : NOV 2022

System # :
HPL-EN05-FF-HOA-SF2

Detail # :
11

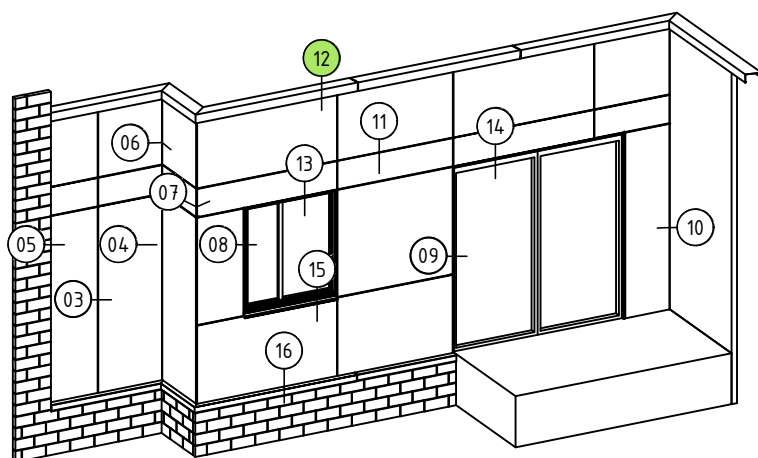
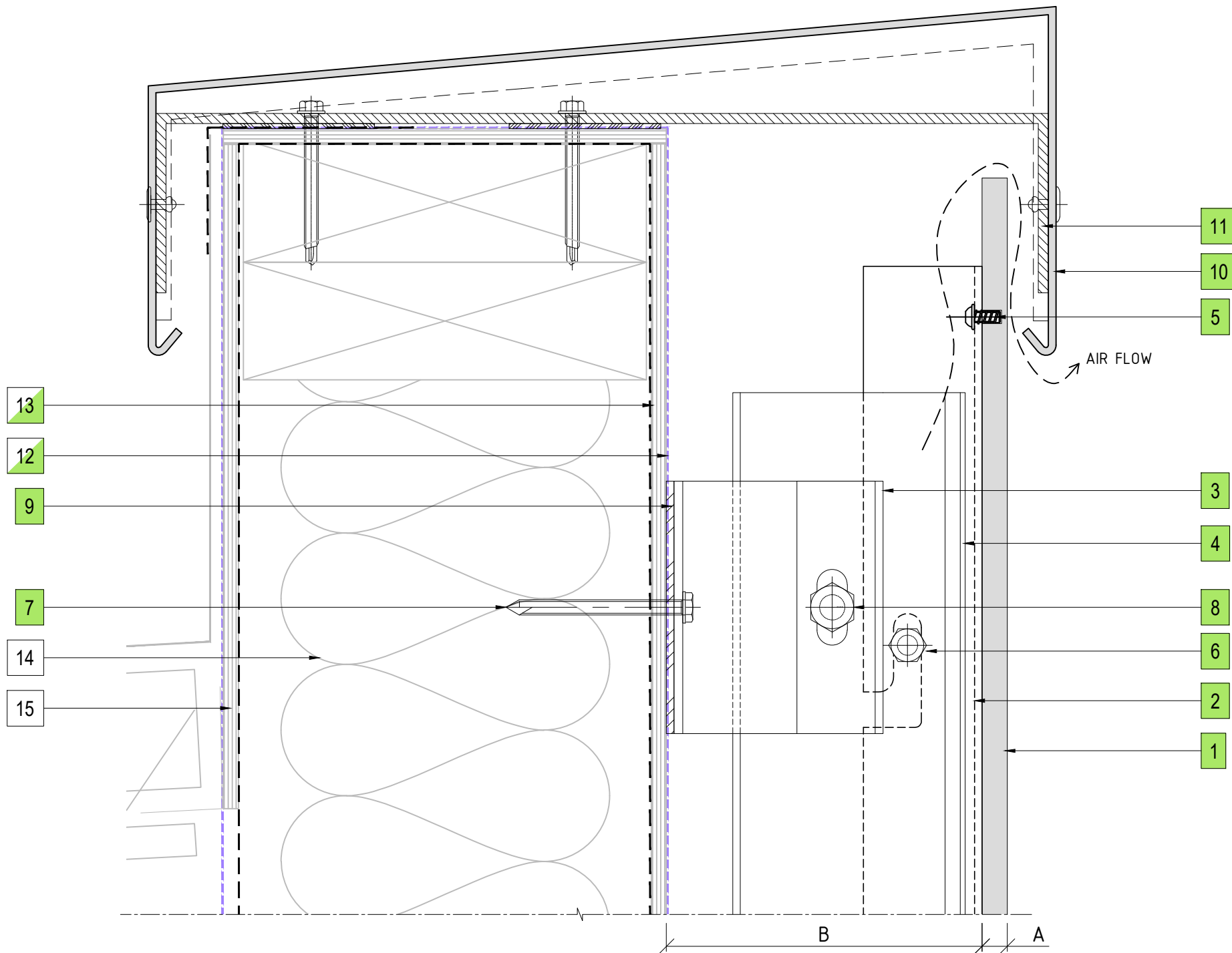
ENCLAD™ RAINSCREEN SYSTEMS

LEGEND

A	ENCLAD™ HIGH PRESSURE LAMINATE
B	* SYSTEM CAVITY (125mm MIN. - 150mm MAX.)
*	OTHER OPTIONS AVAILABLE (PROJECT SPECIFIC)

PARTS LIST

1	ENCLAD™ HPL PANEL
2	ENCLAD EN01 ALUMINIUM SUPPORT PROFILE
3	ENCLAD EN01 ALUMINIUM STRONG BACK PROFILE
4	ENCLAD EN01 ALUMINIUM CHANNEL PROFILE
5	ENCLAD PANEL FIXING (STAINLESS STEEL)
6	ENCLAD FIXING FOR HOOK (STAINLESS STEEL)
7	ENCLAD HOST STRUCTURAL FIXING (STAINLESS STEEL)
8	ENCLAD FIXING FOR CHANNEL PROFILE (STAINLESS STEEL)
9	ENCLAD THERMAL ISOLATION PAD
10	ENCLAD ALUMINIUM FLASHING
11	ENCLAD ALUMINIUM BRACKET
12	BUILDING WRAP / MEMBRANE (OPTION BY INSITE)
13	RIGID AIR BARRIER / SHEATHING BOARD (OPTION BY INSITE)
14	WALL INSULATION (BY OTHERS)
15	PLASTER BOARD (BY OTHERS)



12 PARAPET FLASHING DETAIL
ENCLAD™ HPL PANEL

Cladding Type :

**ENCLAD™ HPL -
HIGH PRESSURE LAMINATE**

Support System :

ENCLAD™ EN05-FF - HOOK ON SECRET FIXED

Detail Description :

PARAPET FLASHING DETAIL (SECTION VIEW)

Scale @ A3 : 1:2

Rev. : NOV 2022

System # :

HPL-EN05-FF-HOA-SF2

Detail # :

12

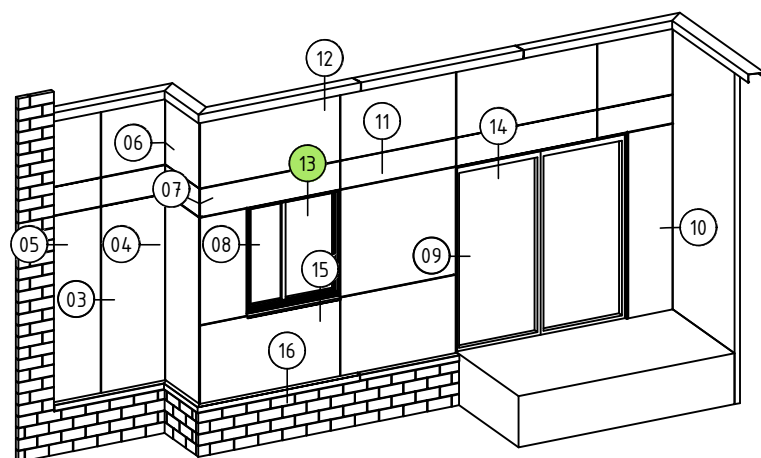
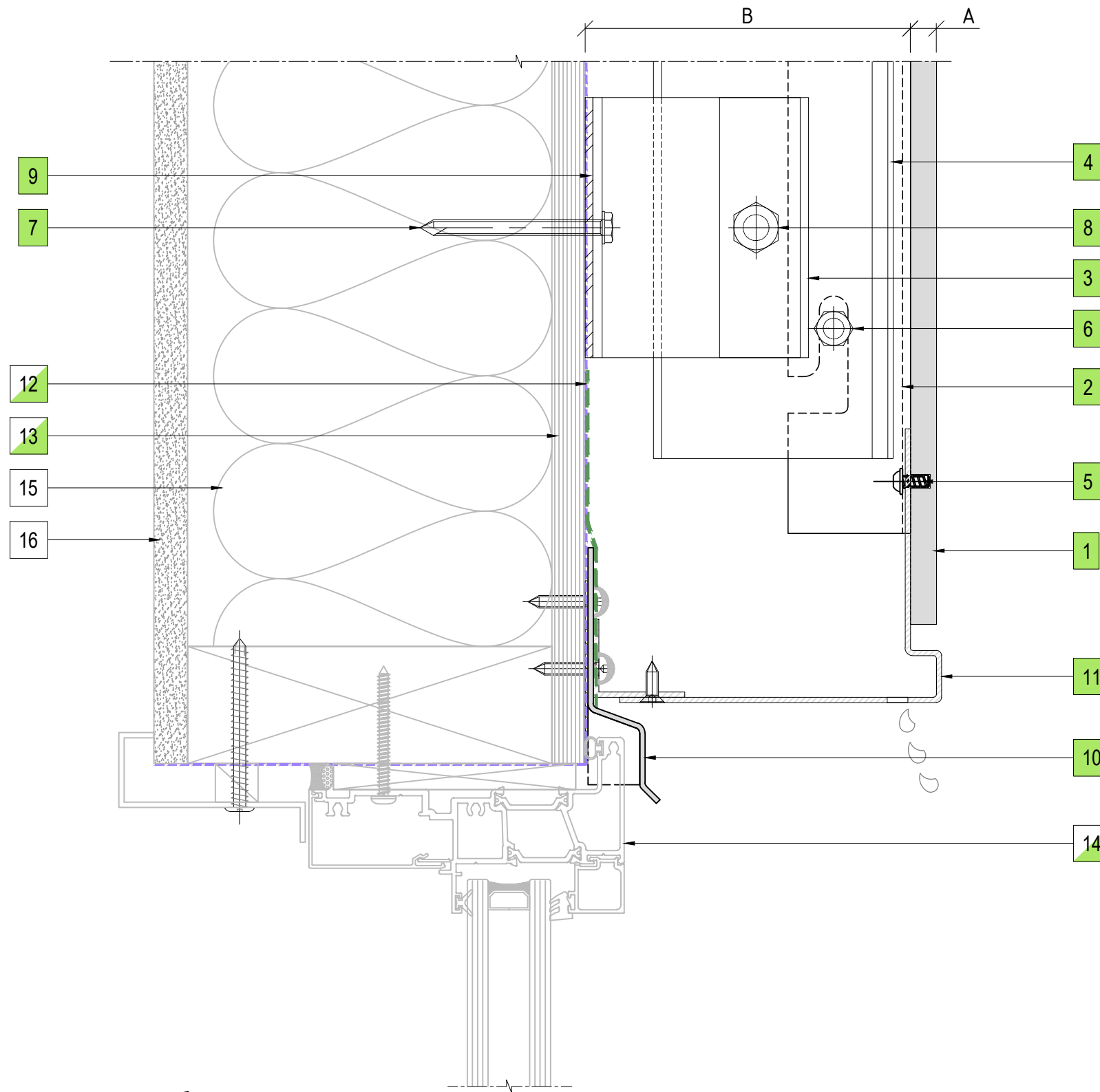
ENCLAD™ RAINSCREEN SYSTEMS

LEGEND

A	ENCLAD™ HIGH PRESSURE LAMINATE
B	* SYSTEM CAVITY (125mm MIN. - 150mm MAX.)
*	OTHER OPTIONS AVAILABLE (PROJECT SPECIFIC)

PARTS LIST

1	ENCLAD™ HPL PANEL
2	ENCLAD EN01 ALUMINIUM SUPPORT PROFILE
3	ENCLAD EN01 ALUMINIUM STRONG BACK PROFILE
4	ENCLAD EN01 ALUMINIUM CHANNEL PROFILE
5	ENCLAD PANEL FIXING (STAINLESS STEEL)
6	ENCLAD FIXING FOR HOOK (STAINLESS STEEL)
7	ENCLAD HOST STRUCTURAL FIXING (STAINLESS STEEL)
8	ENCLAD FIXING FOR CHANNEL PROFILE (STAINLESS STEEL)
9	ENCLAD THERMAL ISOLATION PAD
10	ENCLAD ALUMINIUM FLASHING
11	ENCLAD ALUMINIUM CLOSURE
12	BUILDING WRAP / MEMBRANE (OPTION BY INSITE)
13	RIGID AIR BARRIER / SHEATHING BOARD (OPTION BY INSITE)
14	ALUMINIUM DOORS, WINDOWS & REVEALS (OPTION BY INSITE)
15	WALL INSULATION (BY OTHERS)
16	PLASTER BOARD (BY OTHERS)



13 WINDOW HEAD DETAIL
ENCLAD™ HPL PANEL

Cladding Type :

**ENCLAD™ HPL -
HIGH PRESSURE LAMINATE**

Support System :

ENCLAD™ EN05-FF - HOOK ON SECRET FIXED

Detail Description :

WINDOW HEAD DETAIL (SECTION VIEW)

Scale @ A3 : 1:2

Rev. : NOV 2022

System # :

HPL-EN05-FF-HOA-SF2

Detail # :

13

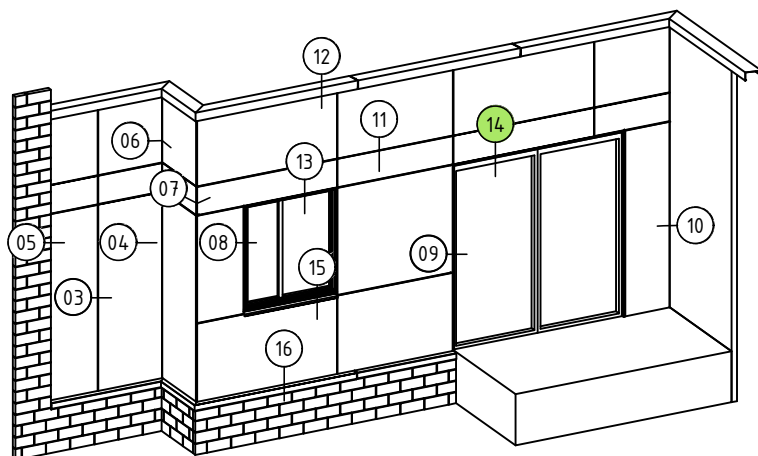
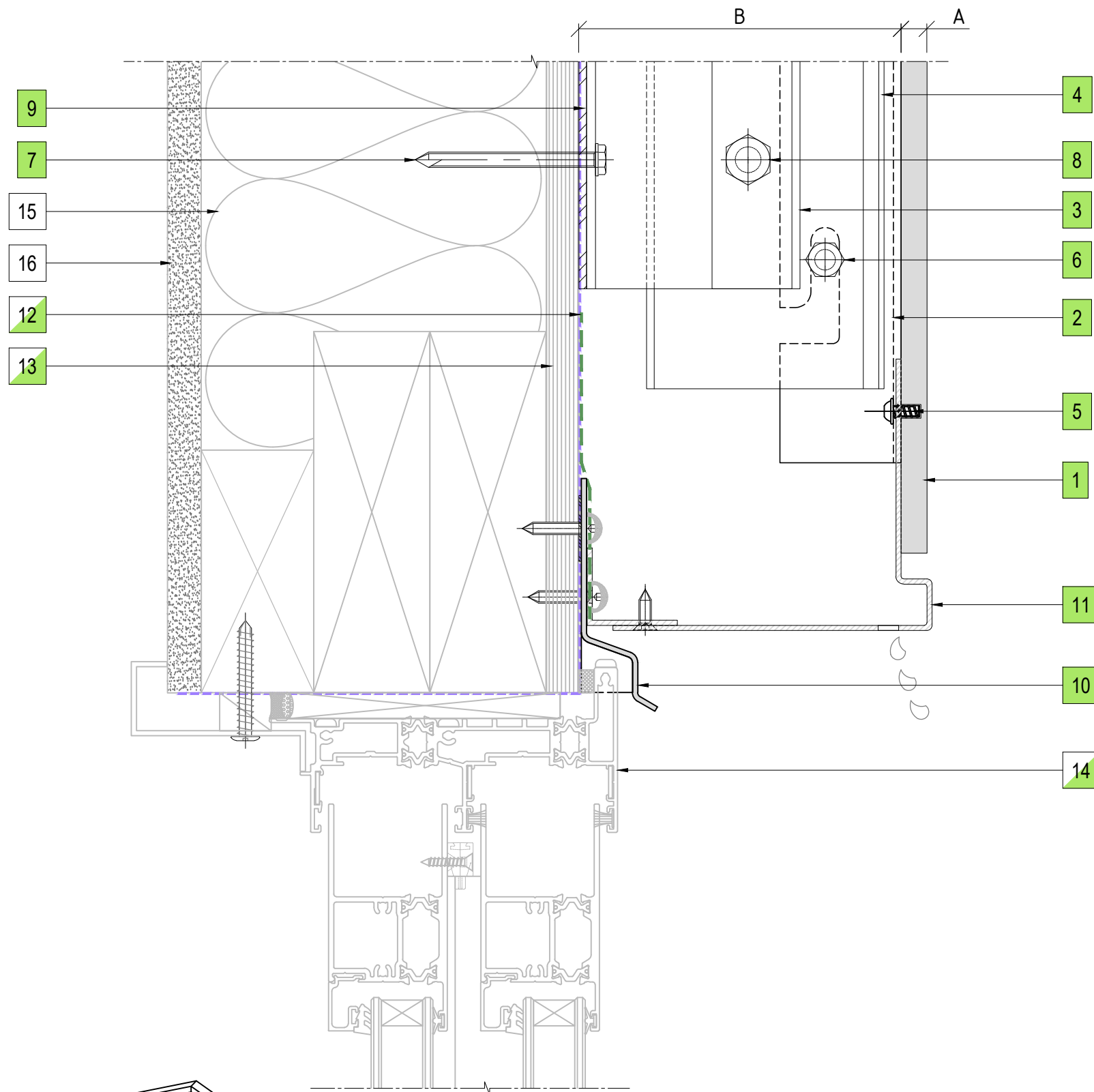
ENCLAD™ RAINSCREEN SYSTEMS

LEGEND

A	ENCLAD™ HIGH PRESSURE LAMINATE
B	* SYSTEM CAVITY (125mm MIN. - 150mm MAX.)
*	OTHER OPTIONS AVAILABLE (PROJECT SPECIFIC)

PARTS LIST

1	ENCLAD™ HPL PANEL
2	ENCLAD EN01 ALUMINIUM SUPPORT PROFILE
3	ENCLAD EN01 ALUMINIUM STRONG BACK PROFILE
4	ENCLAD EN01 ALUMINIUM CHANNEL PROFILE
5	ENCLAD PANEL FIXING (STAINLESS STEEL)
6	ENCLAD FIXING FOR HOOK (STAINLESS STEEL)
7	ENCLAD HOST STRUCTURAL FIXING (STAINLESS STEEL)
8	ENCLAD FIXING FOR CHANNEL PROFILE (STAINLESS STEEL)
9	ENCLAD THERMAL ISOLATION PAD
10	ENCLAD ALUMINIUM FLASHING
11	ENCLAD ALUMINIUM CLOSURE
12	BUILDING WRAP / MEMBRANE (OPTION BY INSITE)
13	RIGID AIR BARRIER / SHEATHING BOARD (OPTION BY INSITE)
14	ALUMINIUM DOORS, WINDOWS & REVEALS (OPTION BY INSITE)
15	WALL INSULATION (BY OTHERS)
16	PLASTER BOARD (BY OTHERS)



14 DOOR HEAD DETAIL
ENCLAD™ HPL PANEL

Cladding Type :

**ENCLAD™ HPL -
HIGH PRESSURE LAMINATE**

Support System :

ENCLAD™ EN05-FF - HOOK ON SECRET FIXED

Detail Description :

DOOR HEAD DETAIL (SECTION VIEW)

Scale @ A3 : 1:2

Rev. : NOV 2022

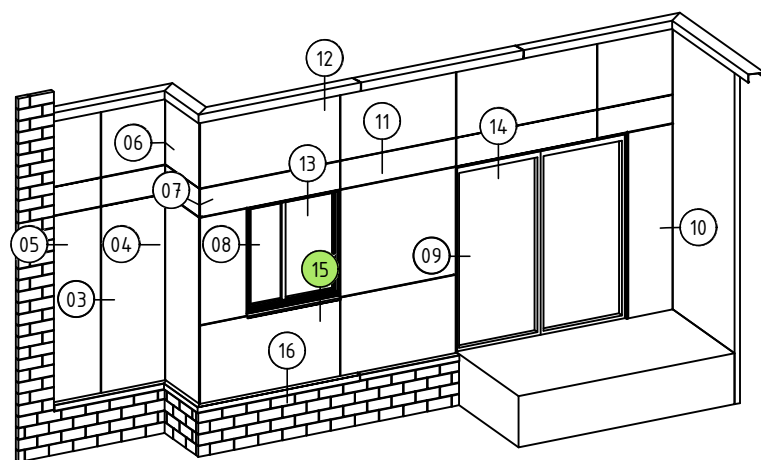
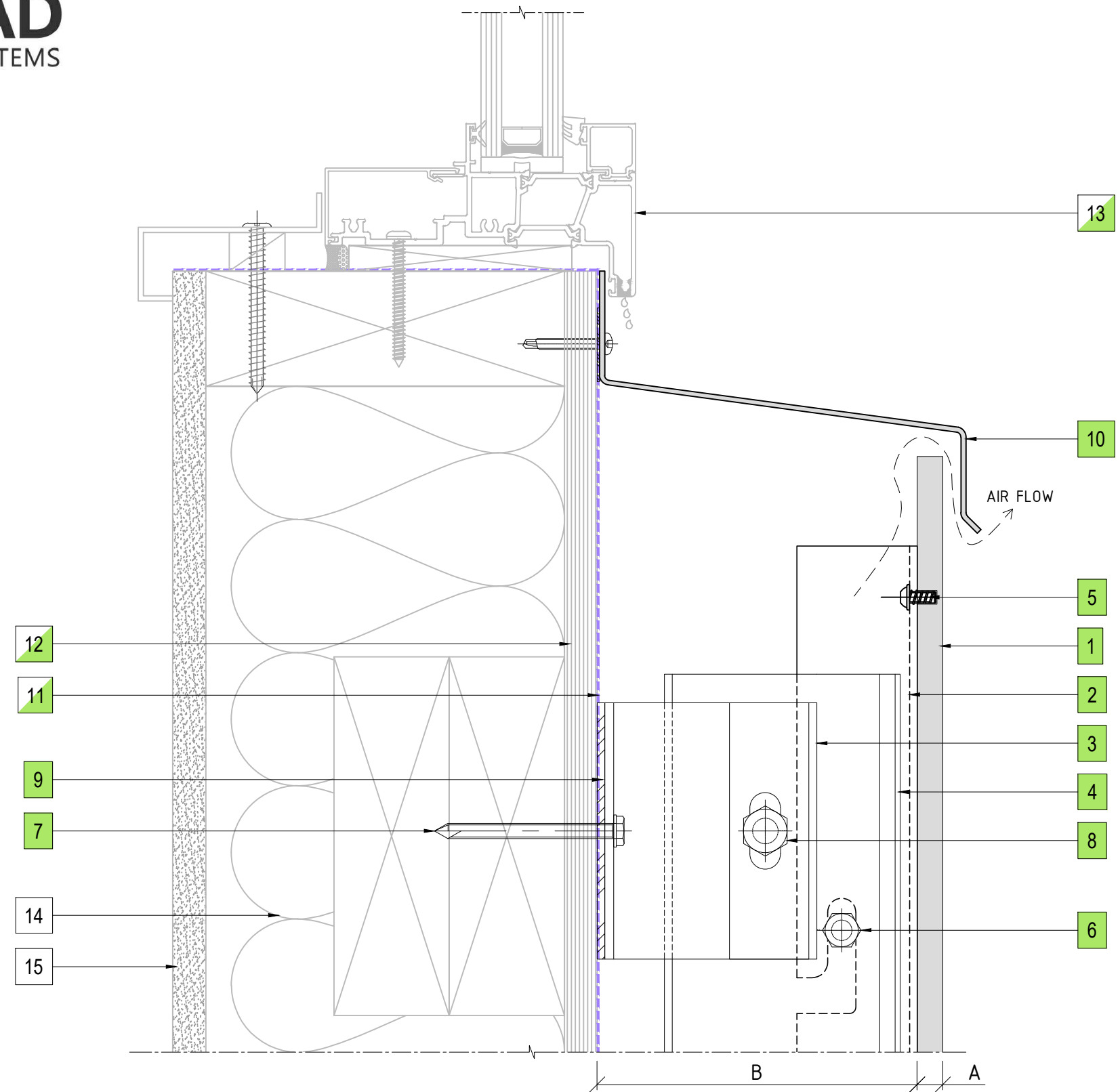
System # :

HPL-EN05-FF-HOA-SF2

Detail # :

14

ENCLAD™ RAINSCREEN SYSTEMS



15 WINDOW SILL DETAIL
ENCLAD™ HPL PANEL

LEGEND

A	ENCLAD™ HIGH PRESSURE LAMINATE
B	* SYSTEM CAVITY (125mm MIN. - 150mm MAX.)
*	OTHER OPTIONS AVAILABLE (PROJECT SPECIFIC)

PARTS LIST

1	ENCLAD™ HPL PANEL
2	ENCLAD EN01 ALUMINIUM SUPPORT PROFILE
3	ENCLAD EN01 ALUMINIUM STRONG BACK PROFILE
4	ENCLAD EN01 ALUMINIUM CHANNEL PROFILE
5	ENCLAD PANEL FIXING (STAINLESS STEEL)
6	ENCLAD FIXING FOR HOOK (STAINLESS STEEL)
7	ENCLAD HOST STRUCTURAL FIXING (STAINLESS STEEL)
8	ENCLAD FIXING FOR CHANNEL PROFILE (STAINLESS STEEL)
9	ENCLAD THERMAL ISOLATION PAD
10	ENCLAD ALUMINIUM FLASHING
11	BUILDING WRAP / MEMBRANE (OPTION BY INSITE)
12	RIGID AIR BARRIER / SHEATHING BOARD (OPTION BY INSITE)
13	ALUMINIUM DOORS, WINDOWS & REVEALS (OPTION BY INSITE)
14	WALL INSULATION (BY OTHERS)
15	PLASTER BOARD (BY OTHERS)

Cladding Type :

**ENCLAD™ HPL -
HIGH PRESSURE LAMINATE**

Support System :

ENCLAD™ EN05-FF - HOOK ON SECRET FIXED

Detail Description :

WINDOW SILL DETAIL (SECTION VIEW)

Scale @ A3 : 1:2

Rev. : NOV 2022

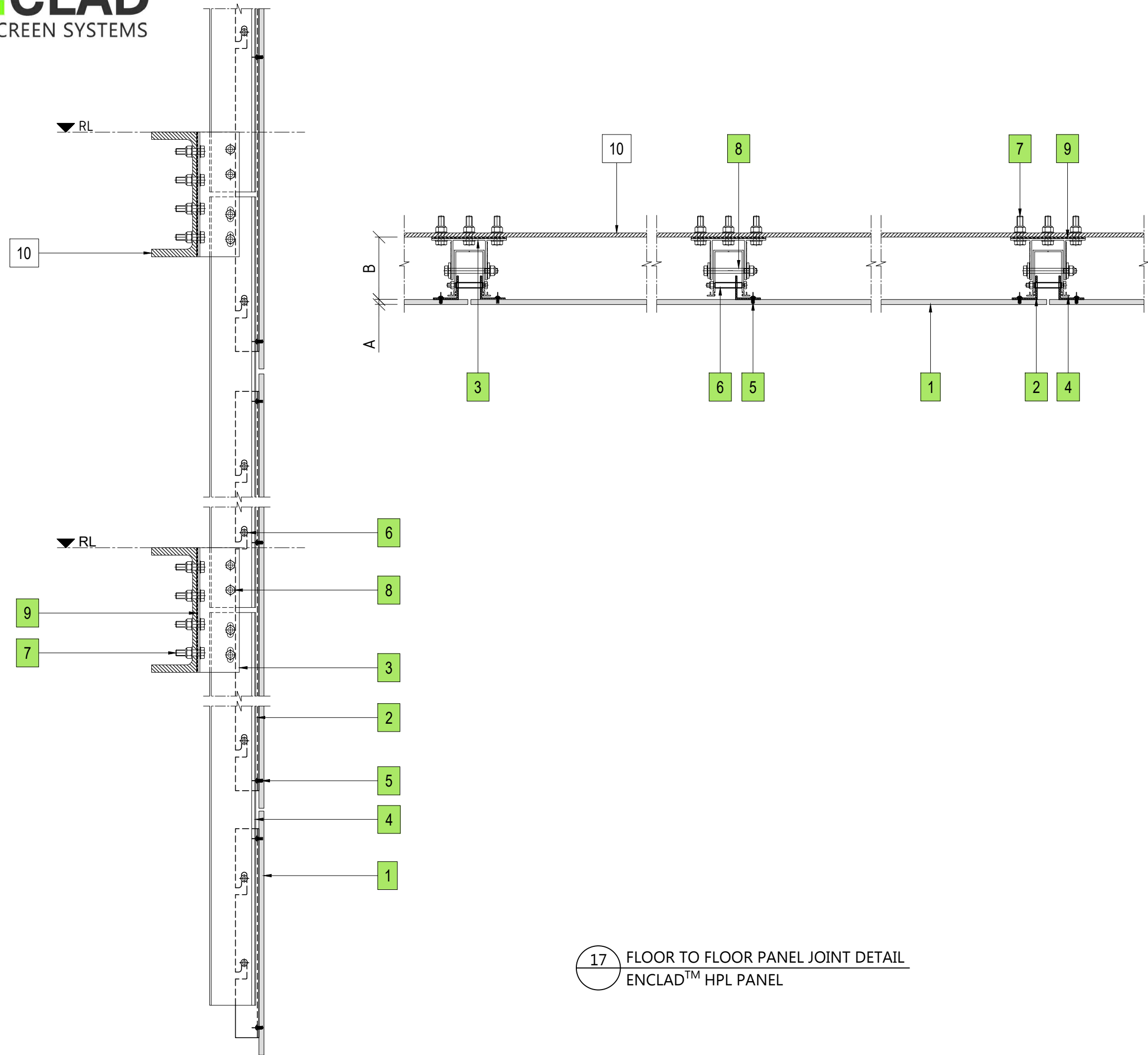
System # :

HPL-EN05-FF-HOA-SF2

Detail # :

15

ENCLAD™ RAINSCREEN SYSTEMS



LEGEND

A	ENCLAD™ HIGH PRESSURE LAMINATE
B	* SYSTEM CAVITY (125mm MIN. - 150mm MAX.)
*	OTHER OPTIONS AVAILABLE (PROJECT SPECIFIC)

PARTS LIST

1	ENCLAD™ HPL PANEL
2	ENCLAD EN01 ALUMINIUM SUPPORT PROFILE
3	ENCLAD EN01 ALUMINIUM STRONG BACK PROFILE
4	ENCLAD EN01 ALUMINIUM CHANNEL PROFILE
5	ENCLAD PANEL FIXING (STAINLESS STEEL)
6	ENCLAD FIXING FOR HOOK (STAINLESS STEEL)
7	ENCLAD HOST STRUCTURAL FIXING (STAINLESS STEEL)
8	ENCLAD FIXING FOR CHANNEL PROFILE (STAINLESS STEEL)
9	ENCLAD THERMAL ISOLATION PAD
10	PFC (BY OTHERS)

Cladding Type :

ENCLAD™ HPL - HIGH PRESSURE LAMINATE

Support System :

ENCLAD™ EN05-FF - HOOK ON SECRET FIXED

Detail Description :

FLOOR TO FLOOR PANEL JOINT DETAIL (PALN AND SECTION VIEW)

Scale @ A3 : 1:8

Rev. : NOV 2022

System # :

HPL-EN05-FF-HOA-SF2

Detail # :

17

ENCLAD™ RAINSCREEN SYSTEMS

17 FLOOR TO FLOOR PANEL JOINT DETAIL
ENCLAD™ HPL PANEL