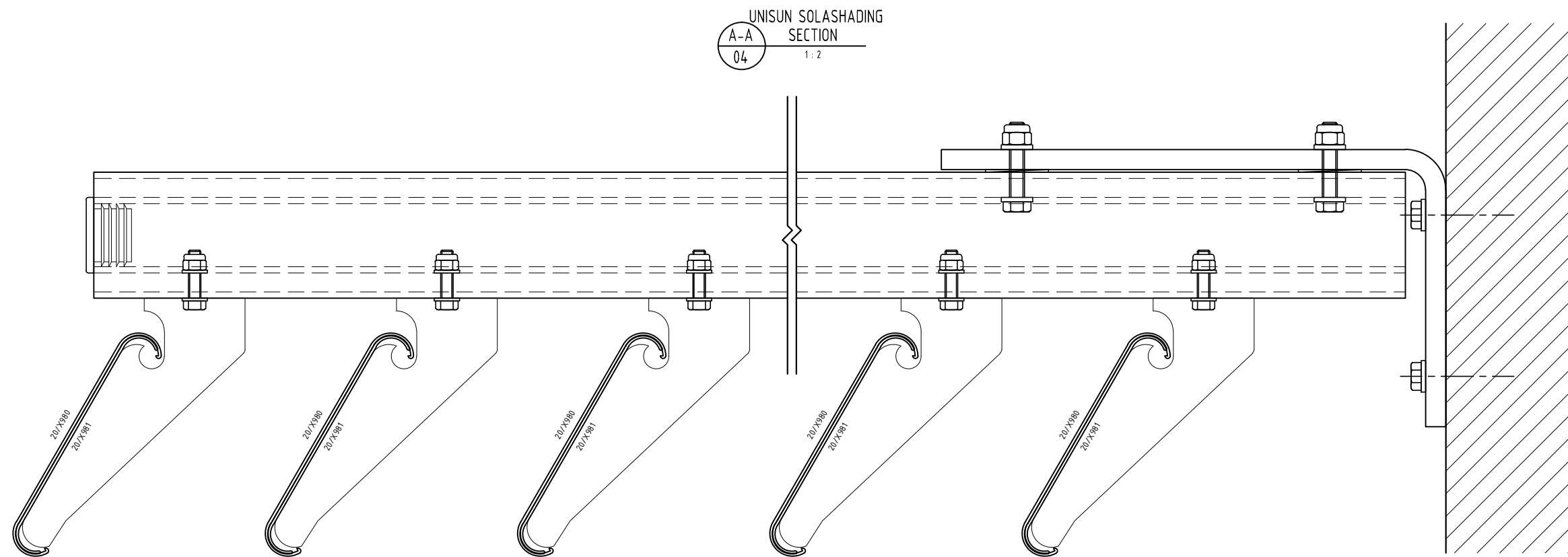


NOTES:
 1) DRAWING TO BE USED IN CONJUNCTION WITH 'MASTERSPEC' (4521)
 2) WINDOW SYSTEMS REQUIRE SPECIFIC DESIGN DEPENDING ON SPANS, WIND-LOADS, CLADDING SPECIFIED, ETC.
 3) INTERNAL REINFORCEMENT OPTIONS AVAILABLE

GLAZING: GLASS THICKNESS TO SUIT REQUIREMENTS
 HARDWARE: VARIOUS STANDARD HARDWARE OPTIONS AVAILABLE (OR CALL TO DISCUSS SPECIFIC COMPONENTS)
 FINISHES: POWDER-COAT / ANODISED / PVF²



SYSTEM : UNISUN SOLAR SHADING	TYPE :	SCALE: 1:2 @ A3	DATE: Jan-13
www.thermosash.co.nz ~AUCKLAND: (09)444-4944 ~WELLINGTON: (04)939-4500 ~CHRISTCHURCH: (03)348-4004		PAGE: L-04	

P:\CONTRACTS\700-SERIES\739-00-MANUAL\For Website\Mechanical_Louvers\Baselot Solar Shading\Unisun Solar Shading.dwg