

POWDER COATED SCREW COLOUR TO MATCH ALUMINIUM PANEL
 ANGLE
 ANGEL BRACKET
 ALUMINIUM PANEL

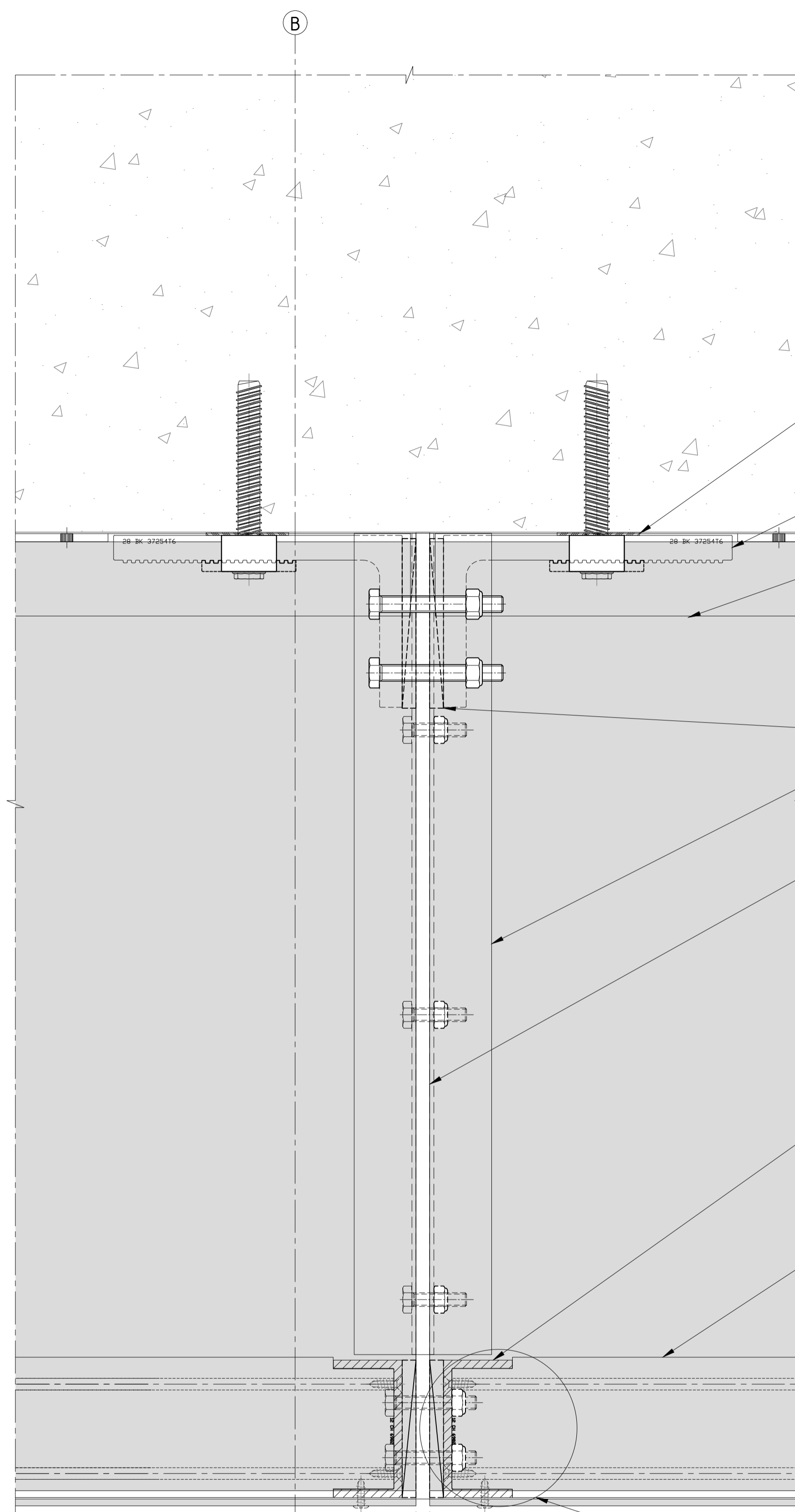
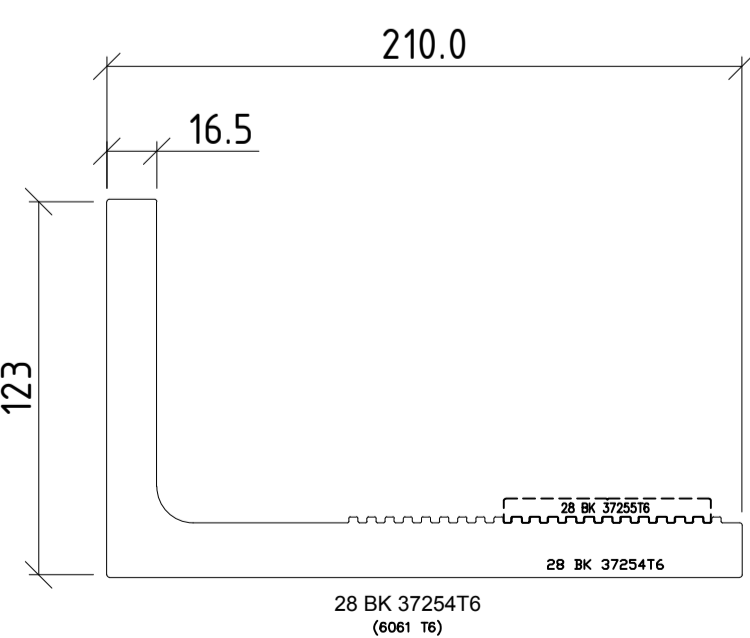
FOLDED CHANNEL

6 MIN.

6 MIN.



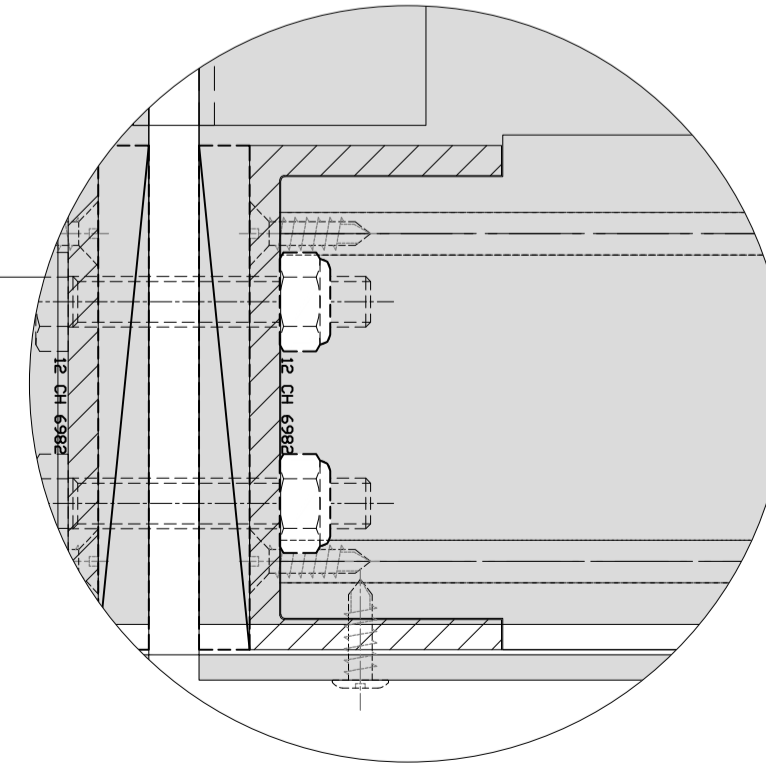
07 01 CORNER FIXING PLAN VIEW
 Scale 1 : 2.5



10 MIN.

EPDM PACKER
 BRACKET
 CONTINUOUS SOFFIT ANGLE
 PACKER
 STIFFENER
 FLAT PLATE
 CONTINUOUS CHANNEL
 ALUMINIUM TRANSOM

07 02 MID FIXING PLAN VIEW
 Scale 1 : 2.5



COPYRIGHT: This drawing is the property of Insite Facades Ltd. It must not be copied, reproduced or supplied to a third party without formal consent by Insite Facades Ltd.