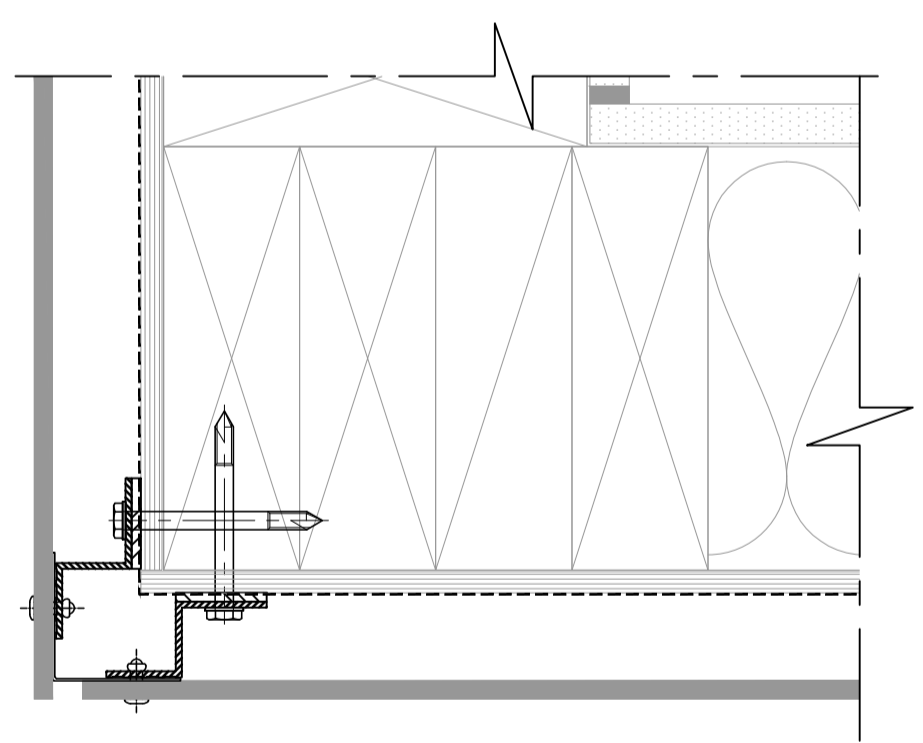
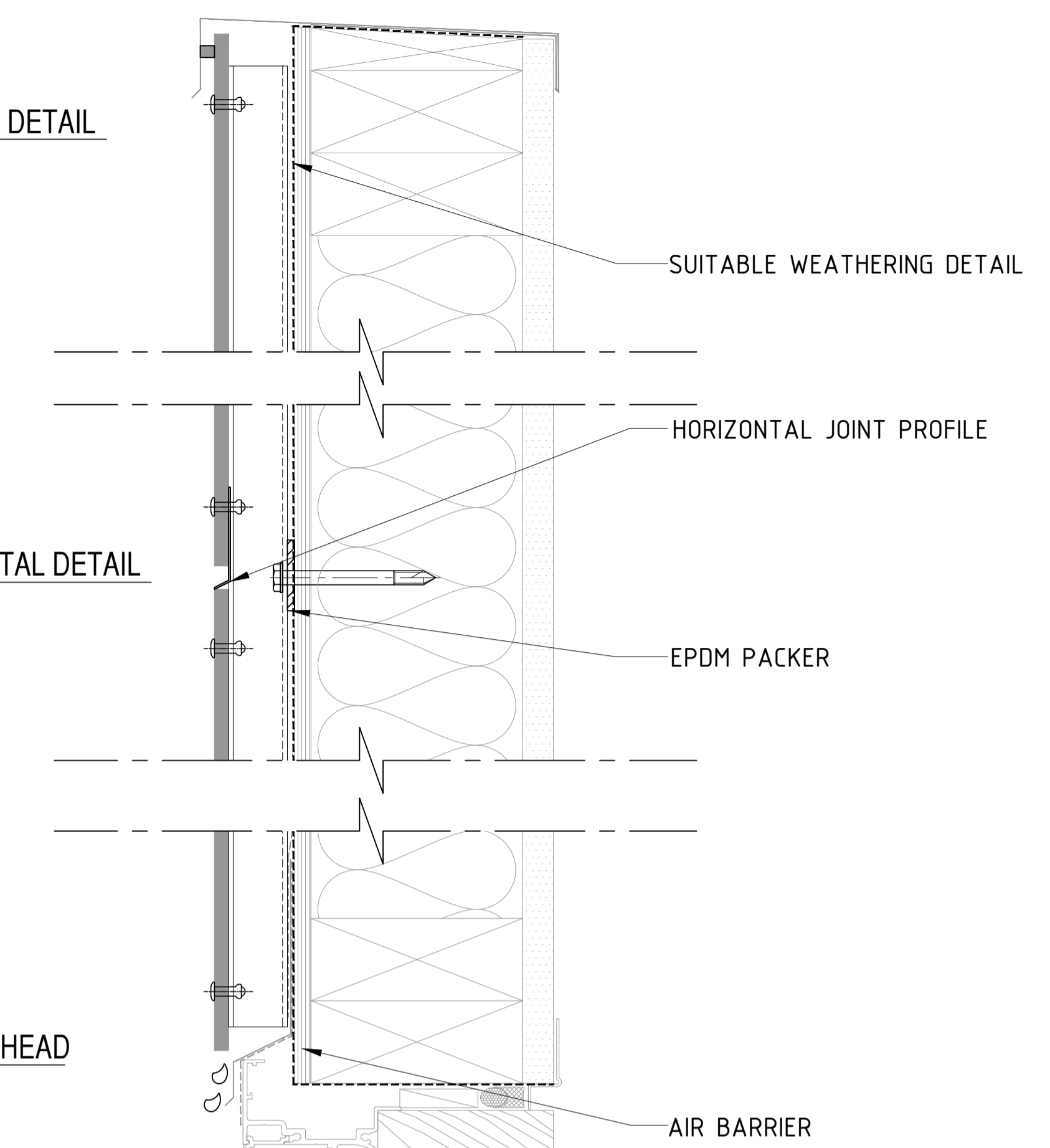


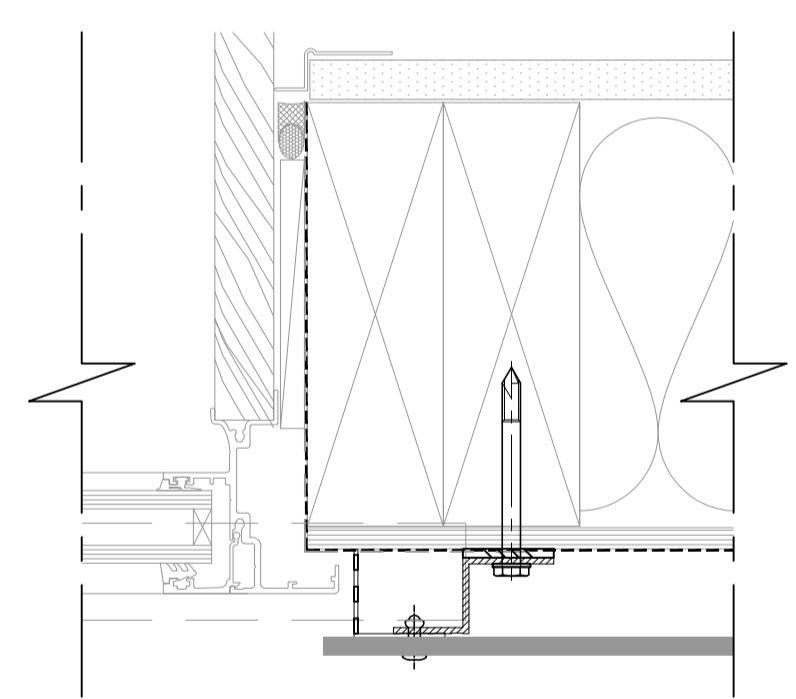
01 05 PARAPET DETAIL  
Scale 1 : 2

01 04 HORIZONTAL DETAIL  
Scale 1 : 2

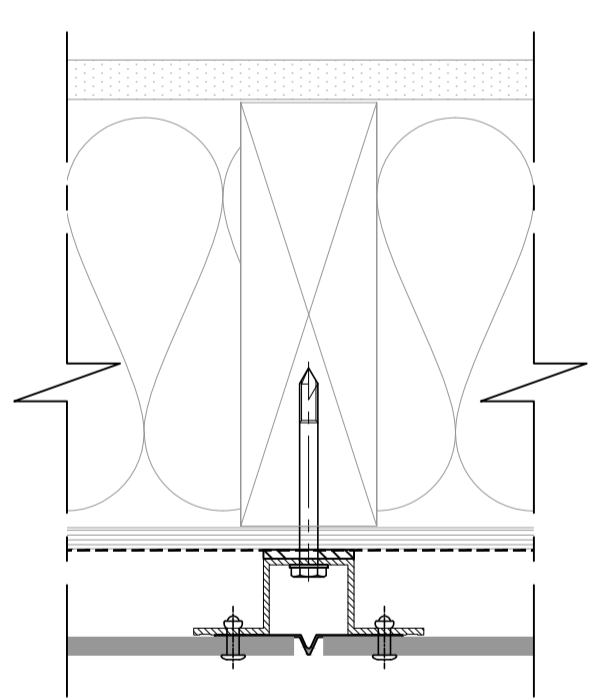
01 03 WINDOW HEAD  
Scale 1 : 2



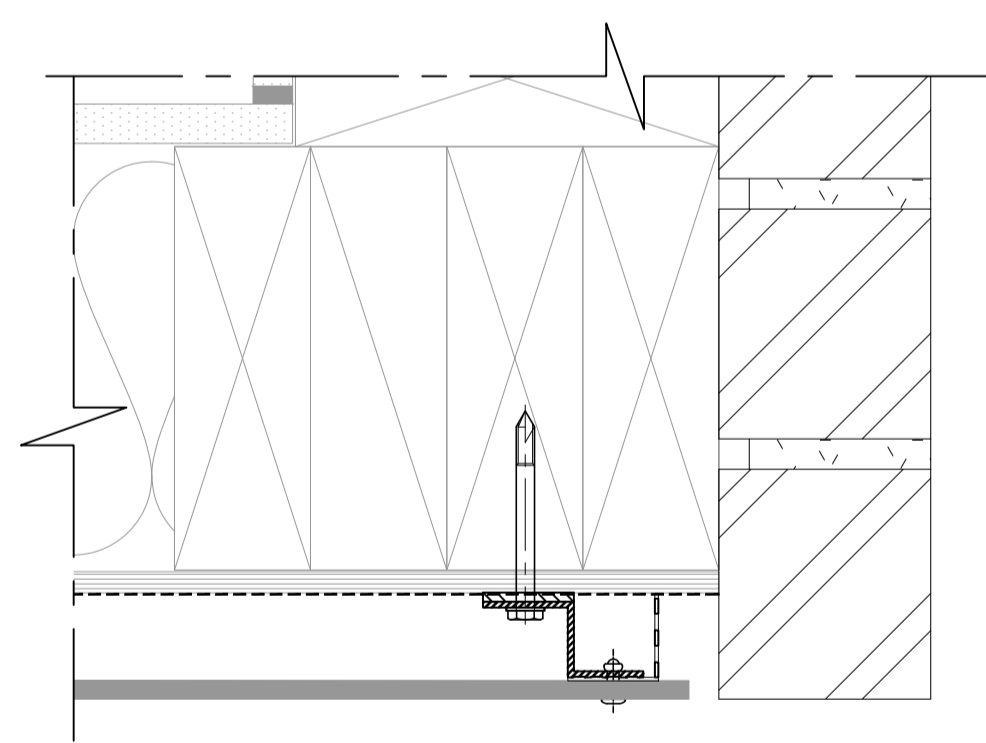
01 06 EXTERNAL CORNER  
Scale 1 : 2.5



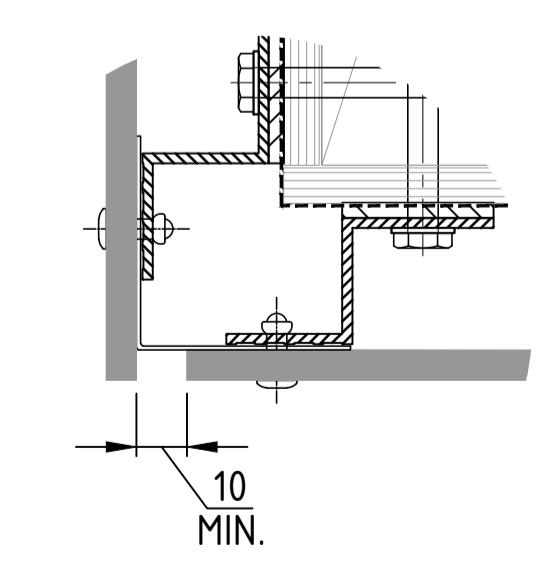
01 07 WINDOW JAMB  
Scale 1 : 2.5



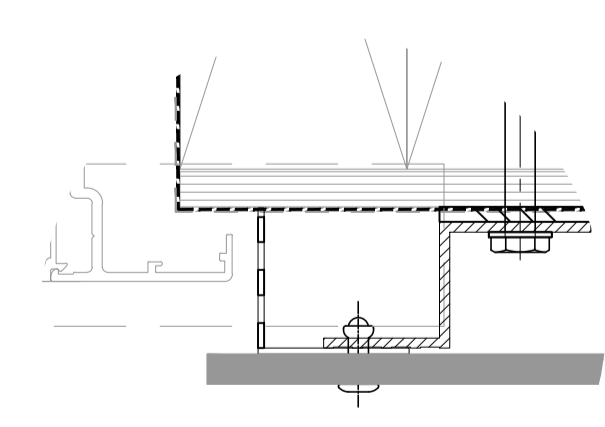
01 08 VERTICAL DETAIL  
Scale 1 : 2.5



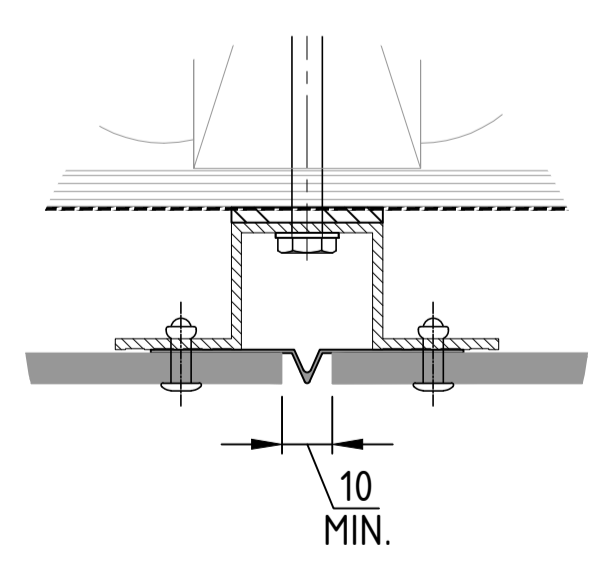
01 09 END WALL  
Scale 1 : 2.5



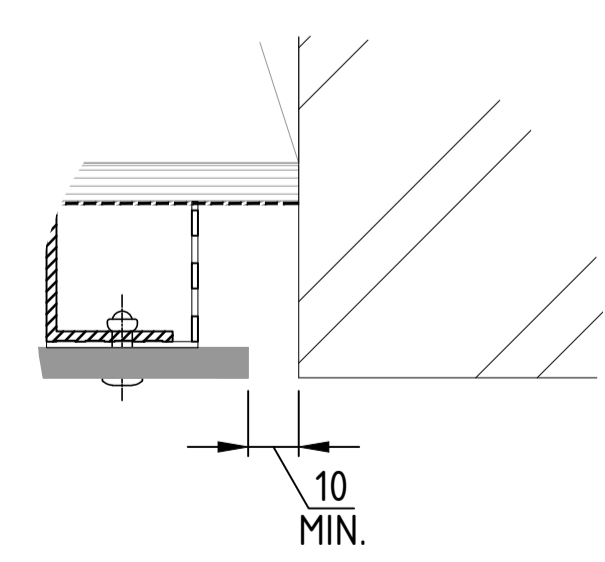
EXTERNAL CORNER



WINDOW JAMB

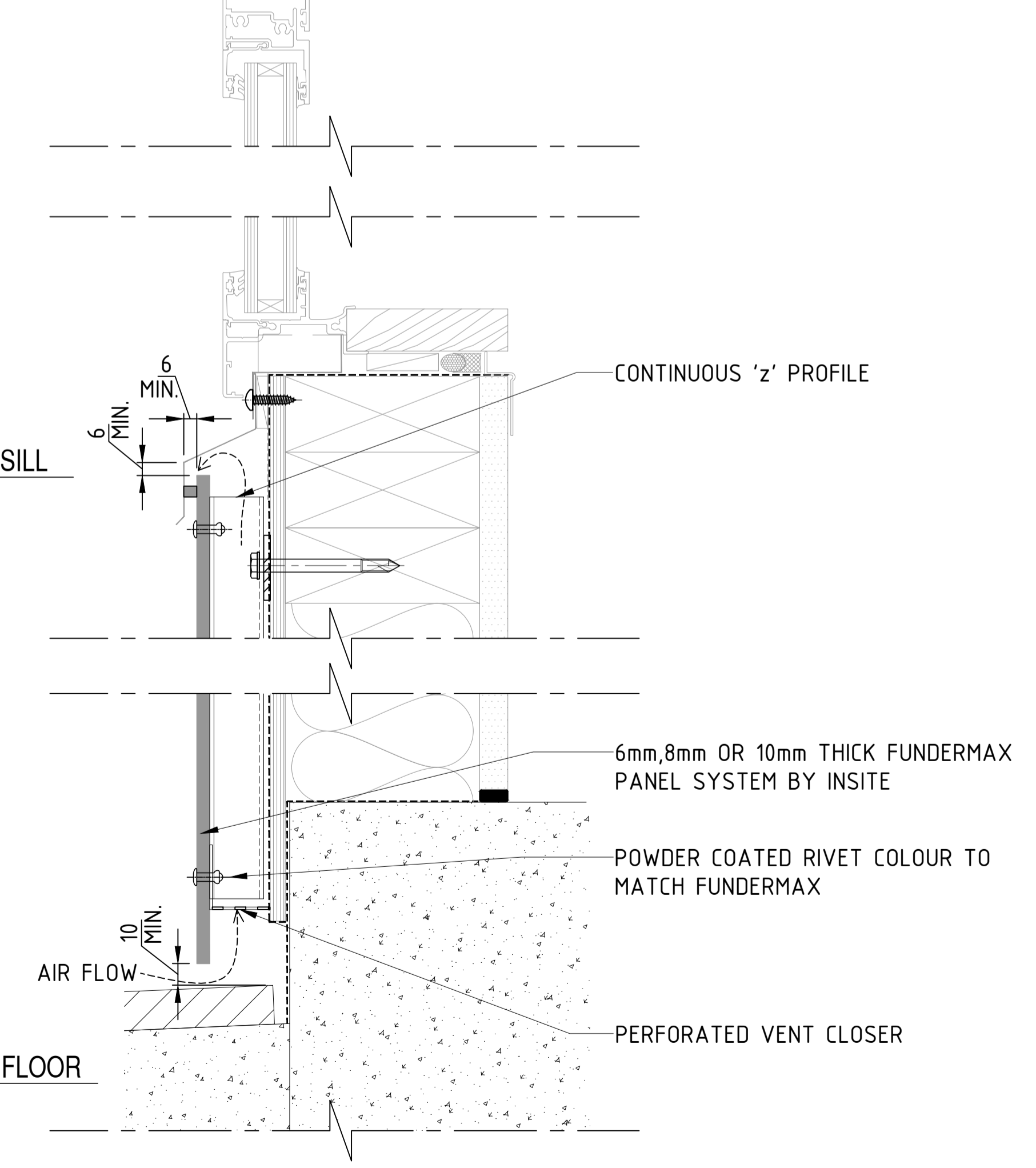


VERTICAL 'V' PROFILE



END WALL

01 02 WINDOW SILL  
Scale 1 : 2



01 01 GROUND FLOOR  
Scale 1 : 2