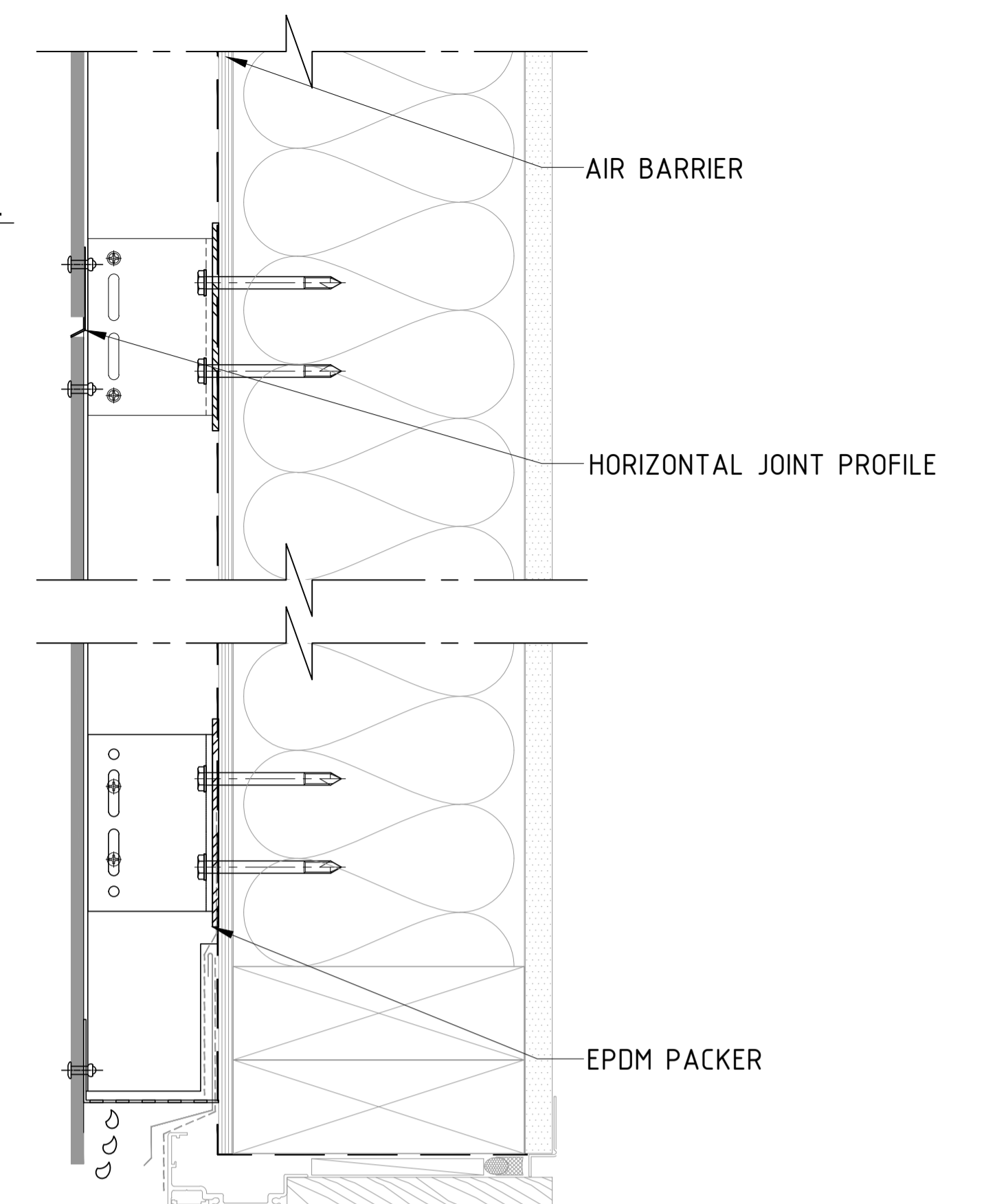
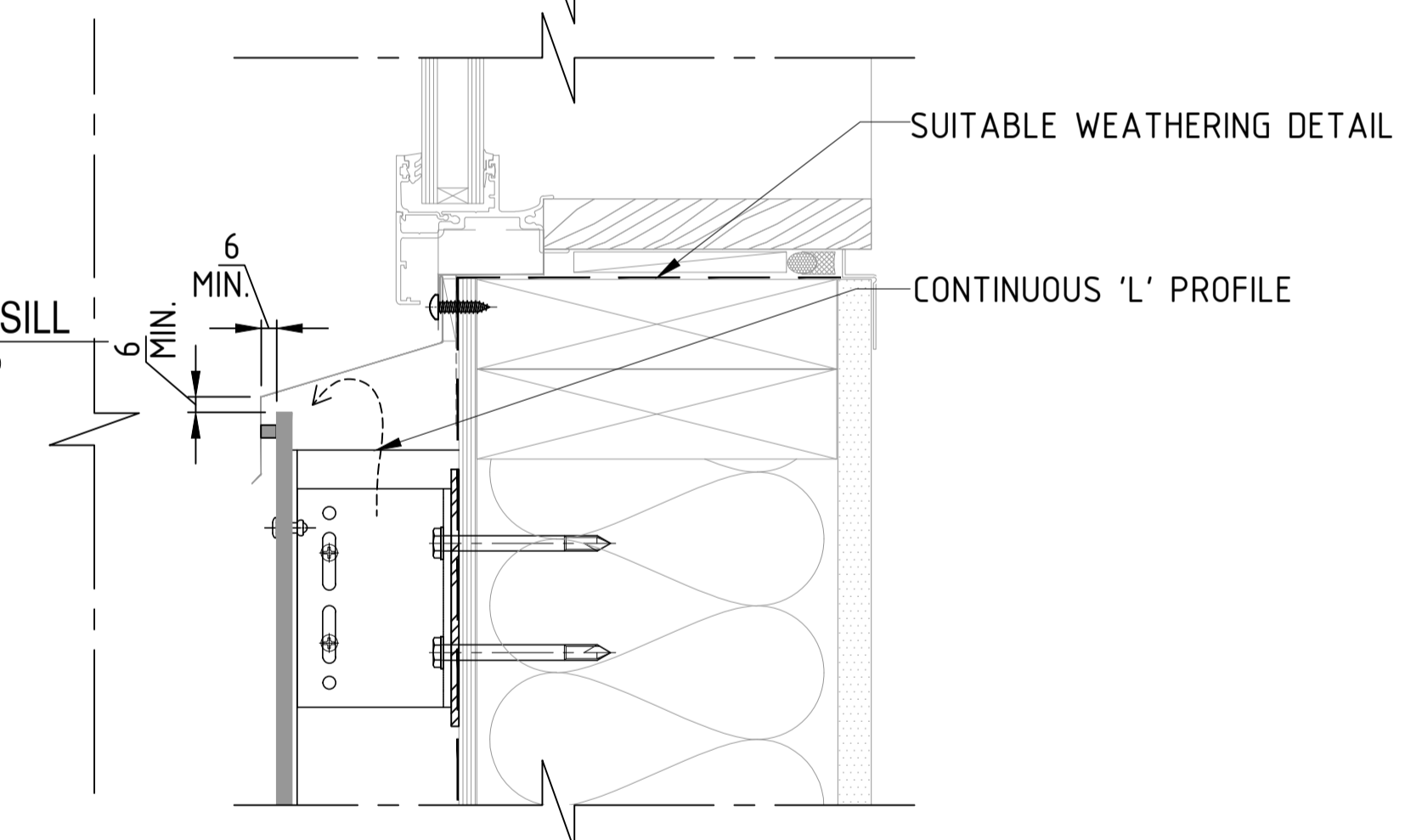


01 HORIZONTAL DETAIL
Scale 1 : 2.5

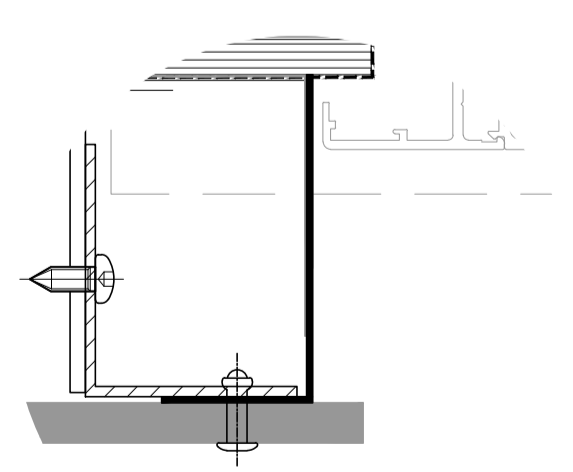
01 WINDOW HEAD
03 Scale 1 : 2.5



02 WINDOW SILL
02 Scale 1 : 2.5

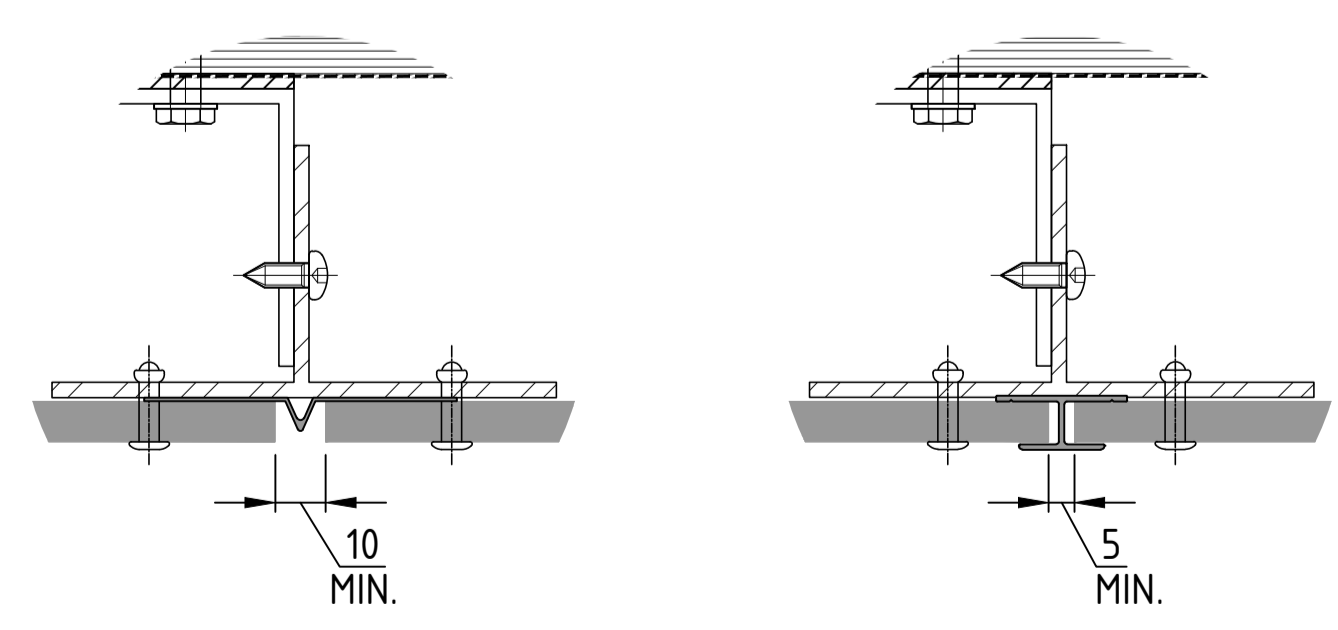


02 WINDOW JAMB
05 Scale 1 : 2



WINDOW JAMB

02 VERTICAL DETAIL
06 Scale 1 : 2



VERTICAL 'V' PROFILE

VERTICAL 'H' PROFILE

02 GROUND FLOOR
01 Scale 1 : 2.5

